

# TÄCKNAN



Design and Quality  
IKEA of Sweden



<b>ENGLISH</b>	<b>4</b>
<b>DEUTSCH</b>	<b>32</b>
<b>FRANÇAIS</b>	<b>62</b>
<b>NEDERLANDS</b>	<b>91</b>



Please refer to the last page of this manual for the full list of IKEA appointed Authorized Service Centre and relative national phone numbers.



Gehen Sie dazu auf die letzte Seite dieser Broschüre. Dort finden Sie eine Übersicht mit den entsprechenden Telefonnummern IKEA und Kontaktdaten unserer autorisierten Kundendienste.



Consultez la dernière page de ce manuel pour la liste complète des centre d'entretien eta de réparation agréés IKEA avec leur numéro de téléphone respectifs.



Op de laatste pagina van deze instructies vindt u de volledige lijst van alle Geautoriseerde servicecentra van IKEA met hun overeenkomstig telefoonnummer.

## Contents

Safety information	4	User menu customisation	19
Installation	6	Daily use	20
Electrical connection	7	Power management function	23
Environmental protection advice	12	Cooking table	24
User tips	12	Cookware guidance	24
Use	12	Troubleshooting	26
Cleaning and maintenance	12	Technical Data	27
Product description	15	Manufacturer	29
Control panel	16	IKEA WARRANTY	30
Power limitation	18		

## Safety information

### Before the first use

#### Strictly observe the instructions in this manual.

All liability is declined for any problems, damage or fires caused by failure to comply with the instructions in this manual. The device is intended for domestic use only, to cook food and extract the fumes generated by cooking.

No other use is allowed (e.g. heating rooms). The manufacturer declines any liability for inappropriate use or incorrect control settings.






Always keep these instructions with the appliance, even if it is transferred to a third party. It is important for the users to be familiar with all the operating and safety features of the appliance.

Read the instructions carefully: they contain important information on installation, operation and safety.


Do not make electrical changes to the device.

Before installing the device, make sure that none of the components are damaged. Otherwise, contact the dealer and do not continue with the installation.

Check that the device is intact before proceeding with installation. Otherwise, contact the dealer and do not continue with the installation.

-  The danger symbol, relating to safety, which warns of potential risks for the user and for others. All safety-related messages will be preceded by the danger symbol and by the following terms:
-  **DANGER:** indicates a dangerous situation which, if not avoided, will result in serious injuries.
-  **WARNING:** indicates a dangerous situation which, if not avoided, may result in serious injuries.
-  **WARNING:** failure to install the screws or fastening elements indicated by the instructions may cause electrical hazards.
-  **WARNING:** Pay strict attention to the following instructions:
- The device must be disconnected from the mains before carrying out any installation work.
- For all installation and maintenance operations, always use work gloves.
- Installation or maintenance must be performed by a qualified technician, in compliance with the manufacturer's instructions and local safety regulations.

- Only use the fastening screws supplied with the product for installation, or if not supplied, purchase the correct type of screws.
- Use screws of the right length, as indicated in the installation guide.
- Do not repair or replace any part of the product unless specifically stated in the operating manual.
- Children must be supervised to ensure they do not play with the device.
- Keep children at a safe distance and ensure they are continuously supervised, as accessible parts may become very hot during use.
- The product can be used by children over the age of 8 and by people with reduced physical, sensory or mental capabilities or without experience or the necessary knowledge, as long as they are properly supervised or have been instructed on how to safely use the product and understand the inherent dangers.
- **⚠ WARNING:** The product and its accessible parts become hot during use. Be careful not to touch the heating elements.
- Do not touch the heating elements of the product during and after use.
- Avoid contact with kitchen towels or other flammable materials until all components of the product have sufficiently cooled, fire hazard.
- Danger of fire: Do not store items on the cooking surfaces.
- Overheated fats and oils easily catch fire.
- **⚠ WARNING:** Unattended cooking on a hob with fat or oil can be dangerous and may result in a fire.
- Extra care must be taken when frying to prevent the oil from overheating and catching fire.
- **⚠ WARNING:** The cooking process has to be supervised. A short term cooking process has to be supervised continuously.
- NEVER attempt to put fires out using water. Instead, turn off the product and smother the flames, for example with a lid or a fire blanket.
- Prevent liquids from boiling over; therefore, turn the heat down when boiling or heating liquids.
- Do not leave the heating elements turned on with empty pots and pans or with no cookware.
- Never heat a tin or can containing foods without opening it first: it might explode! This warning also applies to all other types of hobs.
- Switch off the relative cooking zone when cooking is complete.
- The product is not intended to be operated with an external timer or a separate remote control system.
- Do not use steam cleaners, risk of electric shock.
- Before doing any cleaning or maintenance work, disconnect the device from the mains power supply by removing the plug or turning off the mains switch.
- Cleaning and maintenance must never be performed by children unless they are properly supervised.
- The product must be cleaned frequently both inside and out (AT LEAST ONCE A MONTH); always follow the instructions given in the maintenance manual.
- For people with pacemakers and active implants, it is important to check, prior to using the induction hob, that their pacemaker is compatible with the product.
- **⚠ WARNING:** If the surface is cracked, switch off the appliance to avoid the possibility of electric shock. In case the appliance is connected to the mains directly using junction box, remove the fuse to disconnect the appliance from power supply. In either case contact the Authorised Service Centre.
- Fire hazard: do not place objects on the cooking surfaces.
- Do not place metal objects, such as knives, forks, spoons or lids on the hob as they may become hot.

- Important: After use, turn off the hob using its control device and do not rely on the pot detector.
- Never use aluminium foil for cooking and never place products packaged in aluminium directly on the hob. The aluminium would melt and irreparably damage your product.
- High power levels such as the Booster function should not be used to heat certain liquids, such as oil for frying. Excessive heat may be dangerous. In these cases, we recommend the use of a lower power level.
- The cookware must be placed directly and centred on the hob. Under no circumstances may any other objects be placed between the pot and the hob.
- If the temperature becomes high, the product automatically decreases the power level of the cooking zones.
-  **WARNING!** The accessible parts of the device may become hot when the hob is switched on.
- Failure to comply with the rules for product cleaning and the cleaning/replacement of filters, may create a fire hazard.
- Flambé cooking is strictly prohibited.
- Using a naked flame may damage the filters and cause a fire hazard; it must, therefore, be avoided under all circumstances.
- The room must be sufficiently ventilated when the product is used at the same time as other appliances that run on gas or other fuels.
- In regards to the technical and safety measures that must be adopted for fume extraction, regulations issued by local authorities must be strictly followed.
- The extracted air must not be conveyed through the same ducts used to extract the fumes generated by gas combustion or other types of combustion devices.
- Never use the product without the grille properly installed!
- For Australia and New Zealand only - Range hoods and other cooking fume extractors may adversely affect the safe operation of appliances burning gas or other fuels (including those in other rooms) due to back flow of combustion gases. These gases can potentially result in carbon monoxide poisoning. After installation of a range hood or other cooking fume extractor, the operation of open flued gas appliances should be tested by a competent person to ensure that back flow of combustion gases does not occur.

## Installation

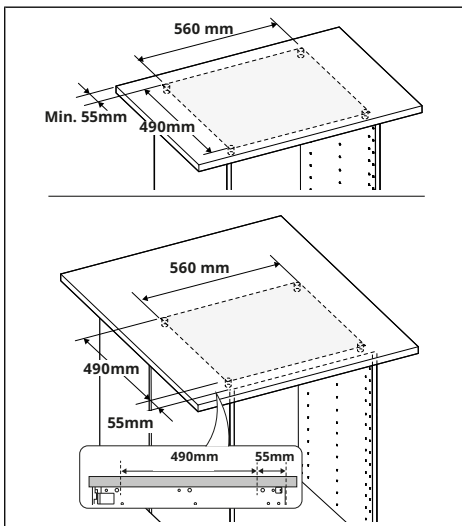
**Both electric and installation must be carried out by qualified electrician.**

**Before starting the installation:** After unpacking the product, check that it has not been damaged during transport and in the case of problems, contact Customer Service, before proceeding with the installation; Check that the purchased product is the right size for the installation location; Check for accessories inside the packaging (placed there for ease of transport, such as bags containing screws, the warranty certificate, etc.). Remove and keep them safe.

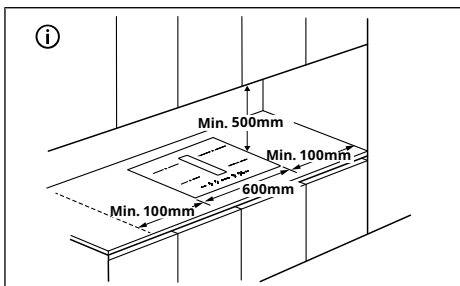
The device is intended to be built into the kitchen worktop over a base unit at least 600 mm wide.

**Base unit preparation for built-in installation:** the product must not be installed above cooling devices, dishwashers, stoves, ovens, washing machines and tumble dryers; all cutting operations on the base unit must be completed before inserting the hob, and any sawdust or debris must be thoroughly removed.

- The minimum distance between the hob and the wall must be at least 55mm at least 100mm from the sides and at least 500mm from the upper wall units.

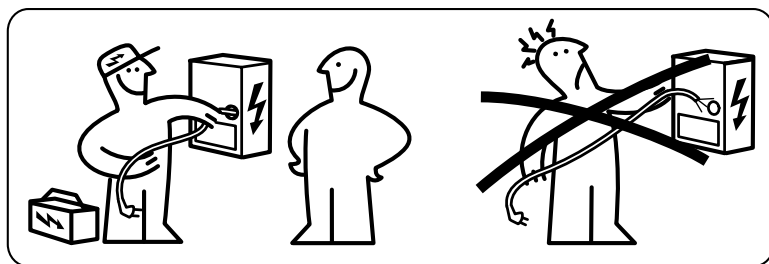


- NB: when designing the space, the kitchen manufacturer's instructions must be followed.



- To complete the recirculation installation please refer to NYTTIG ducting kit.
- ⚠ **WARNING:** Failure to install screws and fasteners in accordance with these instructions may result in electrical hazards.

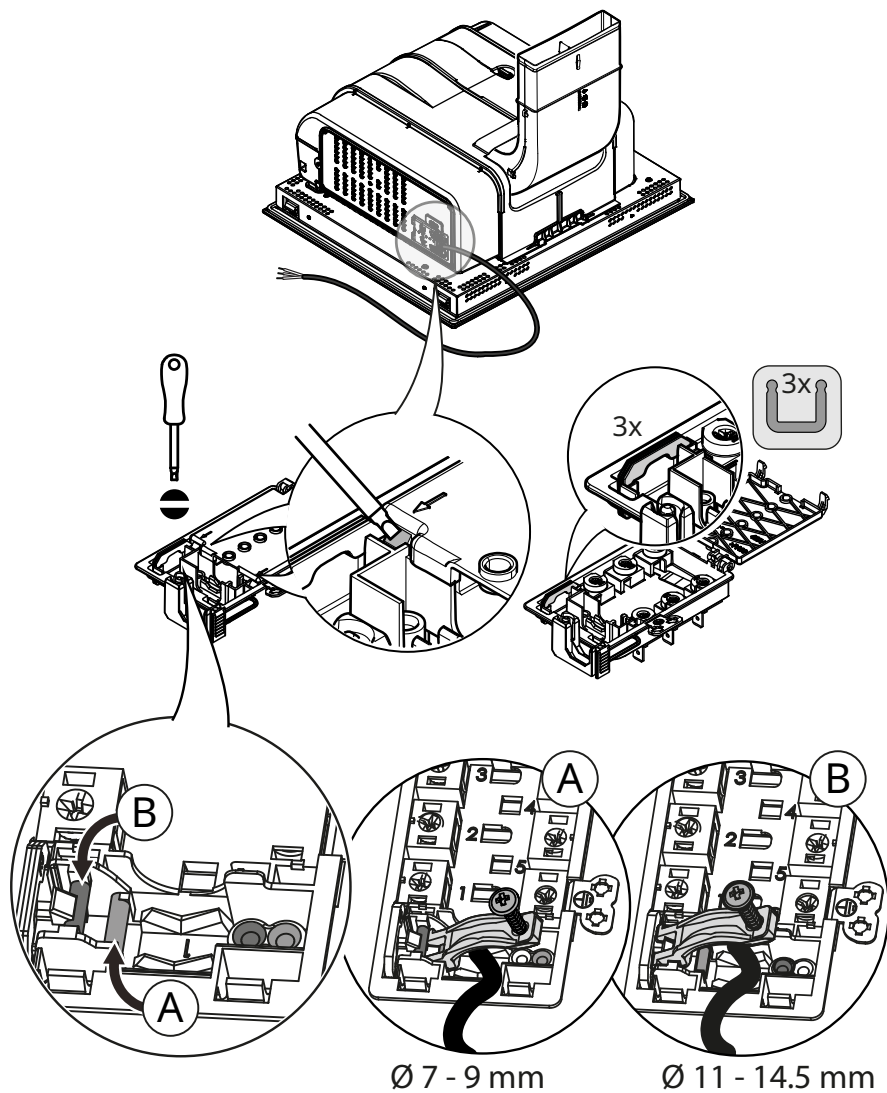
## Electrical connection



- ⚠ **WARNING:** All electrical connections must be made by an authorised installer. Make sure that the voltage indicated on the product plate corresponds to the mains voltage.
- ⚠ **WARNING:** Do not weld the cables!
- ⚠ **WARNING:** Disconnect the product from the mains during the installation
- The manufacturer denies all liability to persons, animals or property if the guidelines provided in this chapter are not followed.
- By law, the product must be earthed.
- The power cord must be long enough to allow the product, built into the base unit, to be connected to the mains.
- The power cord must be long enough to allow removal of the hob from the work-top.
- Do not use power strips or extension cords.
- Check that the voltage on the rating plate on the bottom of the product corresponds to that of the domestic environment where it will be installed.

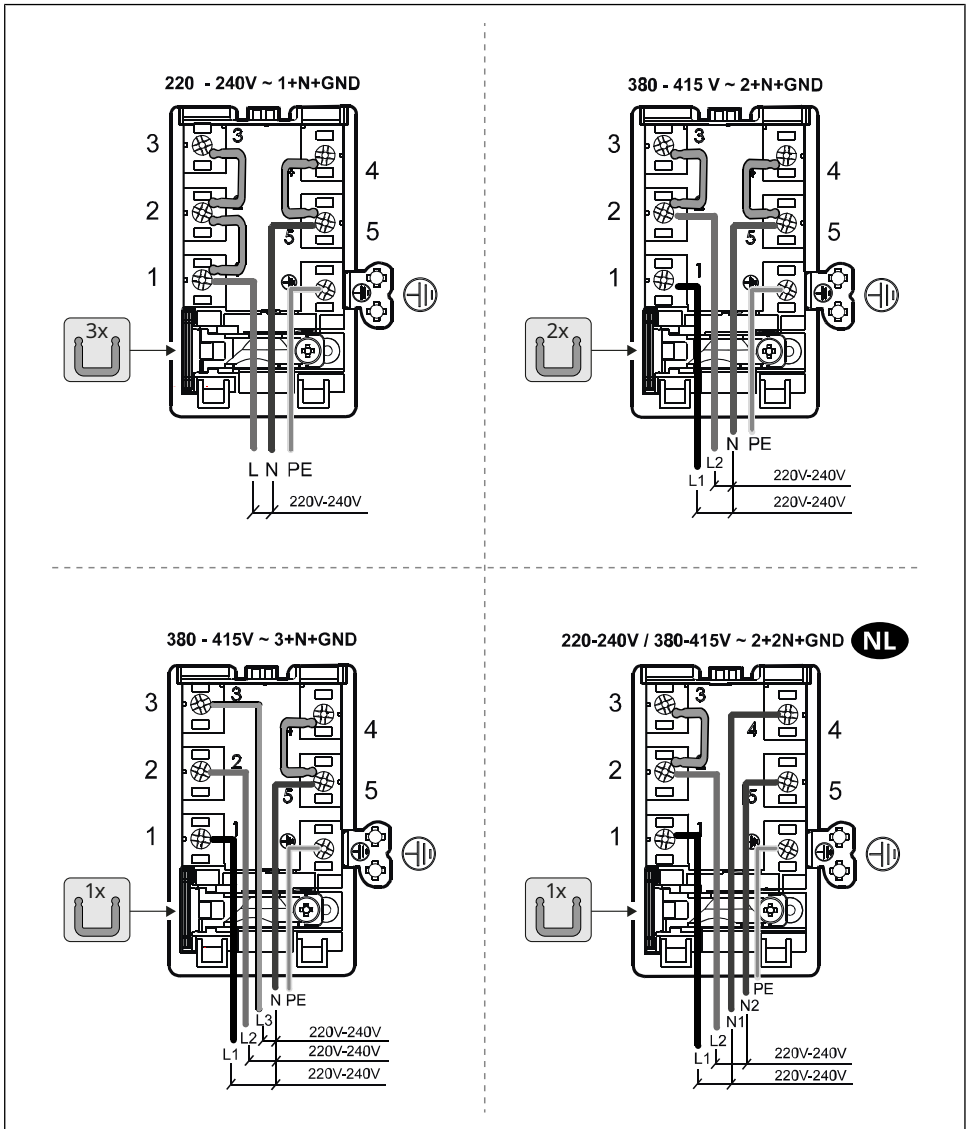
- The earth wire must be 2cm longer than the other wires.
  - The temperature must not reach 50°C above room temperature anywhere along the cable.
  - The product is designed to be permanently connected to the mains; for this reason, make the connection to the mains via an omnipolar switch in accordance with the installation rules, which ensures complete disconnection from the mains in overvoltage category III conditions, and which is easily accessible after installation.
  - Once installation is complete, the electrical components must no longer be accessible by the user.
- ⚠ WARNING:** Do not connect the product to the mains until the installation is complete.
- Before connecting the product to the mains: check the rating plate (on the bottom of the product) to ensure that the voltage and power correspond to the mains supply and that the power socket is suitable. If in doubt, consult a qualified electrician.
- This device requires an H05V2V2-F mains cable. Protective sheathing is mandatory for this cable. In accordance with IEC standards, use the following: for single-phase connection: 3 x 4 mm<sup>2</sup> mains cable; for multi-phase connection: 4 or 5 x 2.5 mm<sup>2</sup> mains cable. Cable outer diameter: min 8 mm - max 12 mm. Ensure compliance with the specific national regulations.
  - The device is not supplied with a mains cable. Purchase a suitable one from a specialist dealer.
  - Connect the device as shown in the wiring diagram (in compliance with applicable national mains voltage standards).
  - Follow the wiring diagram (located on the underside of the product).
  - If the supply cord is damaged, it must be replaced by qualified persons in order to avoid a hazard.
  - **⚠** If damaged contact a qualified electrician.
  - **⚠ WARNING:** Before reconnecting the circuit to the mains power supply and making sure that it is working correctly, always check that the power cable is correctly installed.





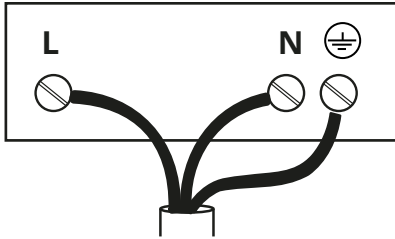
**Cable Connection Diagram**

Insert the bridging links  between the screws as illustrated:

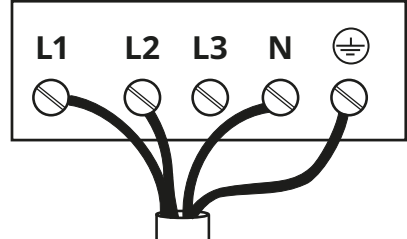


House-side wiring diagram

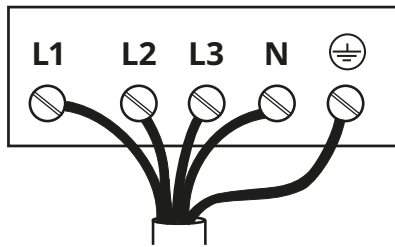
**1** 220V - 240V 1N ~



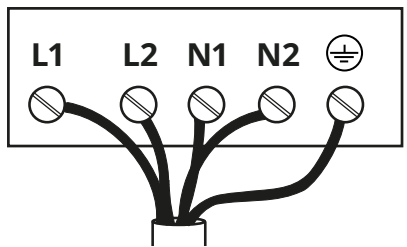
**2** 380V - 415V 2N ~



**3** 380V - 415V 3N ~



**4** 230V/400V 2N ~ **NL**



1	L	Brown
	N	Blue
	⊕	Yellow/Green

<b>NL</b> 4	L1	Black
	L2	Brown
	N1	Blue
	N2	Blue
	⊕	Yellow/Green

2	L1	Black
	L2	Brown
	N	Blue
	⊕	Yellow/Green

3	L1	Black
	L2	Brown
	L3	Grey
	N	Blue
	⊕	Yellow/Green

## Environmental protection advice


### The packaging material

The packaging is 100% recyclable and it is

marked with the recycling symbol 

The different parts of the packaging must not be dispersed into the environment; they must be disposed of in accordance with the regulations set out by the local authorities.



The  symbol on the product or documentation provided indicates that this product must not be treated as domestic waste, but must be taken to a suitable waste collection site for the recycling of electrical and electronic appliances.

### Energy saving

- Use pots and pans with a bottom diameter equal to that of the cooking zone;
- Use only pots and pans with flat bottoms;
- Where possible, keep the lid on pots during cooking;
- Cook vegetables, potatoes, etc. with a minimal amount of water to reduce the cooking time;
- Use a pressure cooker, as it further reduces the energy consumption and cooking time;
- Position the pot in the centre of the cooking zone outlined on the hob.

## User tips

Recommendations for correct use in order to reduce the impact on the environment: When cooking begins, the device should be turned on at minimum speed, and left on for a few minutes even after cooking is complete. Increase the speed only if there is a large quantity of fumes and steam, using the Booster function only in extreme cases.

To keep the odour reduction system running efficiently, replace the carbon filter/s when necessary. To ensure the high performance of the grease filter, clean it when necessary. To improve efficiency and minimise noise, use the maximum duct diameter indicated in this manual.


## Use

The induction cooking system is based on the physical phenomenon of magnetic induction. The main characteristic of this system is the direct transfer of energy from the generator to the pot.

**Benefits:** When compared to electric hobs, your induction hob is: **Safer:** lower temperature on the glass surface. **Faster:**

shorter food heating times. **More accurate:** the hob immediately reacts to your commands. **More efficient:** 90% of the absorbed energy is transformed into heat. Moreover, once the pot is removed from the hob, heat transmission is immediately interrupted, avoiding unnecessary heat loss.

## Cleaning and maintenance

 **WARNING:** Before any cleaning or maintenance, make sure the cooking zones are switched off and the heat indicator has turned off.

### Cleaning the induction hob

The hob must be cleaned after each use.

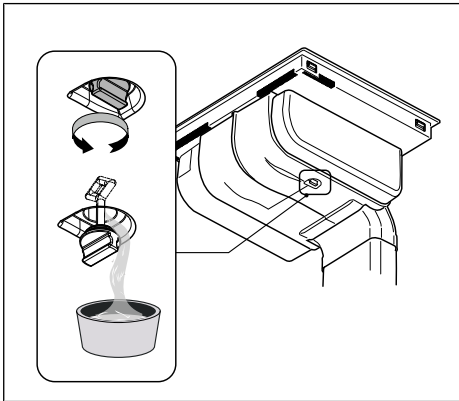
### Important:

- Do not use abrasive sponges or scouring pads. Their use, over time, may ruin the glass.
- Do not use chemical irritants, such as oven sprays or stain removers.
- DO NOT USE STEAM JET CLEANERS!!!

After each use, leave the hob to cool and clean it to remove deposits and stains caused by food residue. Sugar or food with a high sugar content damage the hob and must be removed immediately. Salt, sugar and sand may scratch the glass surface. Use a soft cloth, paper towel or specific products to clean the hob (follow the Manufacturer's instructions).

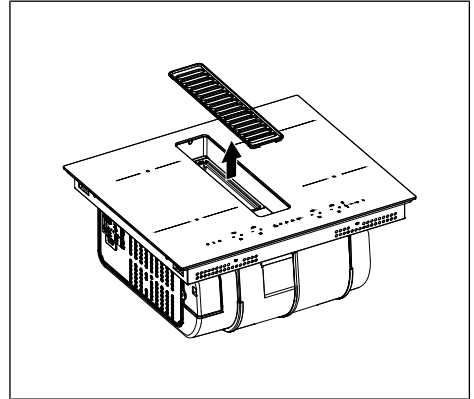
**Cleaning the liquid collection channel**

In the event large quantities of liquids accidentally spill out of the pots, they can be drained using the drain valve on the bottom part of the product so as to eliminate any residue and ensure maximum hygiene levels.



**Cleaning the ventilation grid**

The grid must be washed by hand with hot water and neutral detergent and non-abrasive sponges to avoid scratches or damages to the aesthetic finish.



**Cleaning the extractor fan**

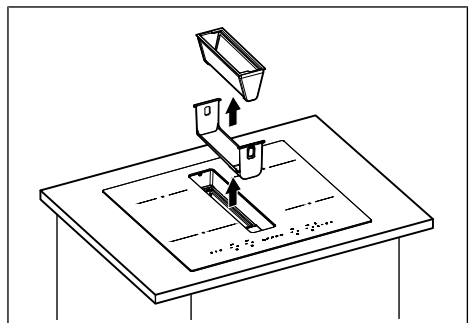
For cleaning, use ONLY a cloth moistened with neutral liquid detergents.

**DO NOT USE CLEANING UTENSILS OR TOOLS!**

Avoid the use of products containing abrasives. **DO NOT USE ALCOHOL!**

**Grease Filter maintenance:  
Traps grease particles generated by cooking.**

Must be cleaned once a month (or when indicated by the filter saturation indication system), with non-aggressive detergents, either by hand or in the dishwasher at low temperatures and in a short cycle. When cleaned in the dishwasher, the metal grease filter may discolour, but its filtering characteristics remain unchanged.

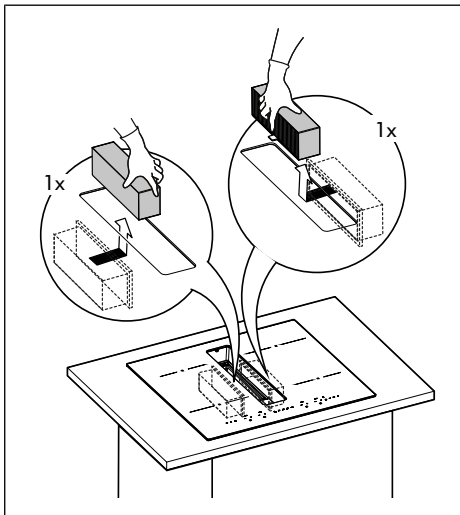


**Maintenance of Non-Regenerable Activated Carbon Filters (Recirculating Version Only):**

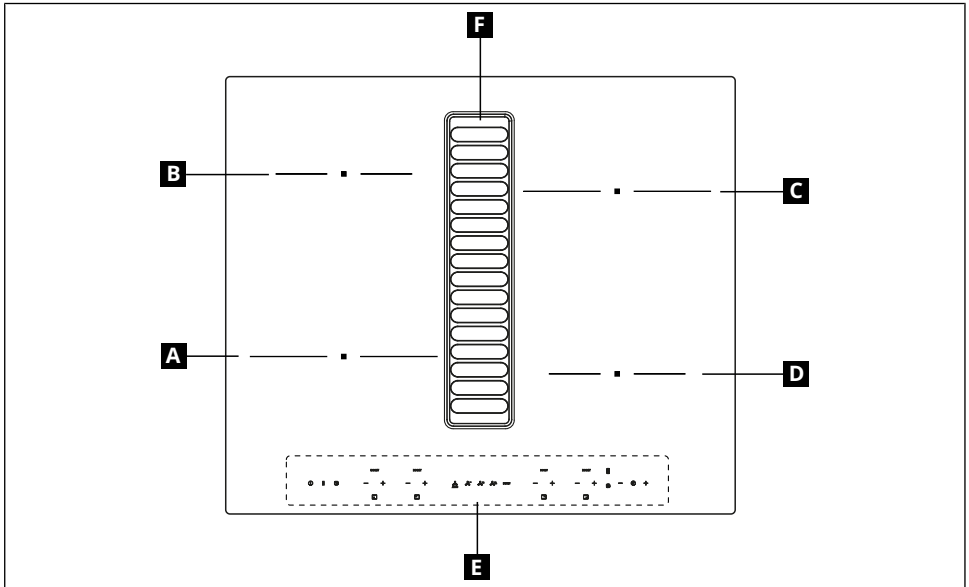
Traps unpleasant odours generated by cooking. The product comes with a set of odour filters.

The saturation of the odour filters can occur after somewhat prolonged use depending on the type of cooking and how regularly the grease filter is cleaned.

When the **“activated carbon filter saturation”** light turns on, the filters must be replaced. They CANNOT be washed or regenerated.

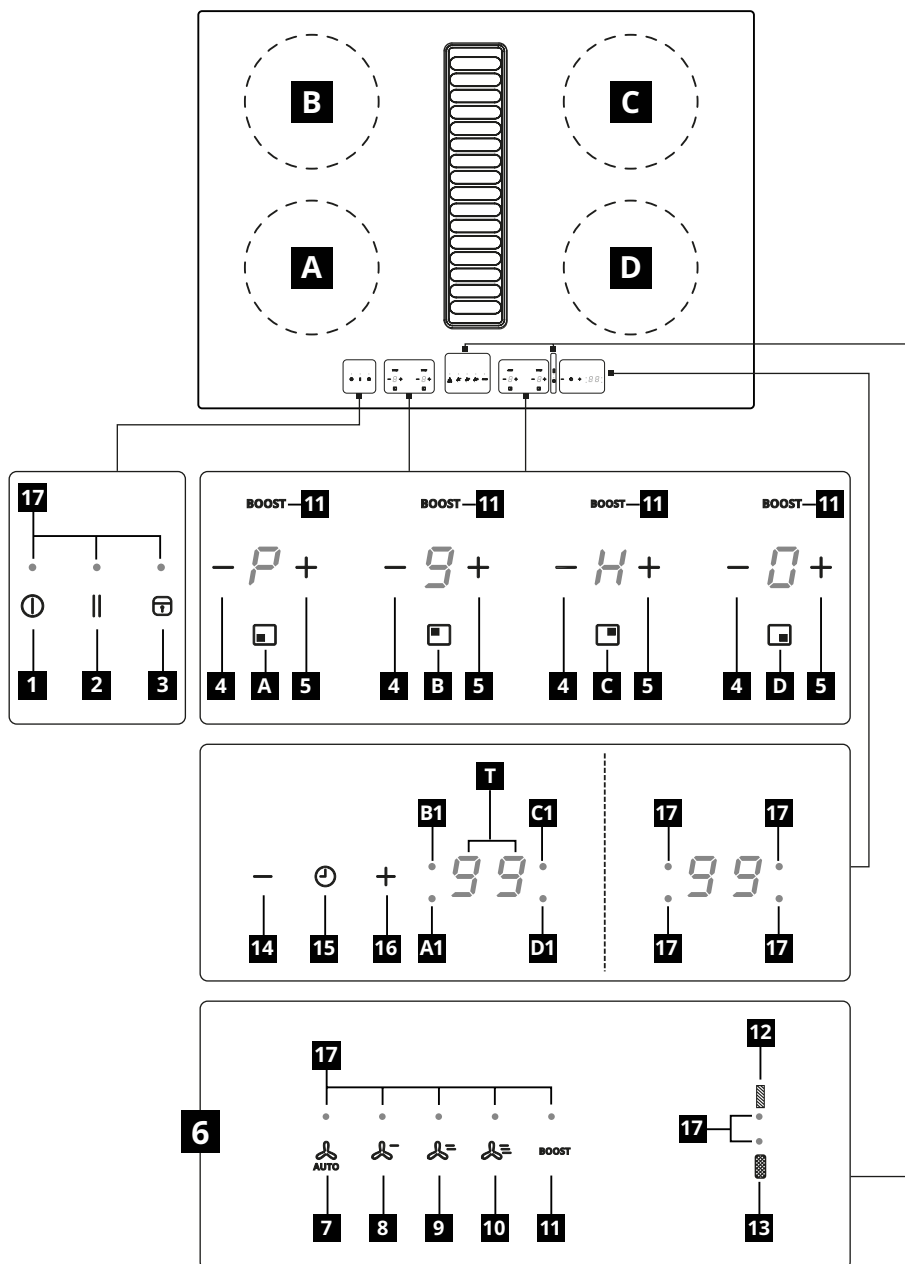


**Product description**



A	Cooking zone (diameter 220 mm) 2300 W with 3000 W Booster function
B	Cooking zone (diameter 160 mm) 1200 W with 1400 W Booster function
C	Cooking zone (diameter 220 mm) 2300 W with 3000 W Booster function
D	Cooking zone (diameter 160 mm) 1200 W with 1400 W Booster function
E	Control panel
F	Extractor

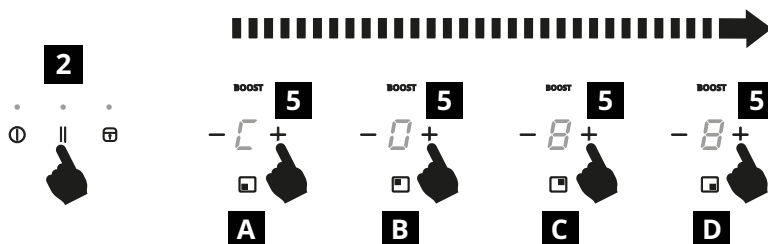
Control panel





<b>Functions</b>	
<b>1</b>	ON/ OFF key for hob / hob extractor fan
<b>2</b>	Pause function key
<b>3</b>	Safety lock function key "Cleaning Mode" – "Child Lock"
<b>A - B - C - D</b>	Cooking zone position indicator
<b>4</b>	– Key (decreases hob power level)
<b>5</b>	+ Key (increases hob power level)
<b>6</b>	Extractor fan function key
<b>7</b>	Automatic extractor fan function key
<b>8</b>	Extractor fan and first speed On/Off key.
<b>9</b>	Extractor fan and second speed On/Off key
<b>10</b>	Extractor fan and third speed On/Off key
<b>11</b>	Booster key (lasts 5 minutes, then returns to power level 9 for hob, or Third speed for extractor fan)
<b>12</b>	Anti-grease filter saturation indicator (after 40 hours of use)
<b>13</b>	Carbon filter saturation indicator (after 160 hours of use)
<b>14</b>	– Timer key
<b>15</b>	Timer On/Off key
<b>16</b>	+ Timer key
<b>A1-B1-C1-D1</b>	Cooking zone A1-B1-C1-D1 position indicator
<b>T</b>	Timer setting from 1 to 99 minutes
<b>17</b>	LEDs indicating active functions selected

## Power limitation



### - Power limitation

The first time the device is connected to the household mains power, the installer must set the cooking zone power level according to the actual capacity of the household electrical system (if the device has already been connected to the mains, simply disconnect and reconnect it).

If this step is not required, the hob can be switched on directly using the **On/Off** key (1), or alternatively, follow the procedure below to access the menu.

The menu access procedure must be performed within a limited time frame.

After connecting, the device to the household power supply failure to access the menu within the time frame requires to disconnect and reconnect the device to the household power supply.

To configure the product, proceed as follows:

**1.** Connect the hob to the household power supply.

**2.** Press and hold the **Pause** key (2), then in sequence, from left to right, press the + keys (5) for the **A-B-C-D** cooking indicators. A short beep will sound with each press of the + key (5). After pressing all the indicator keys, release the **Pause** key (2).

**3.** The cooking zone (A) display will show a "C", and the cooking zone (B) display will show a "0". Press the + key (5) of cooking zone (B) until the cooking zone (B) display shows a "7".

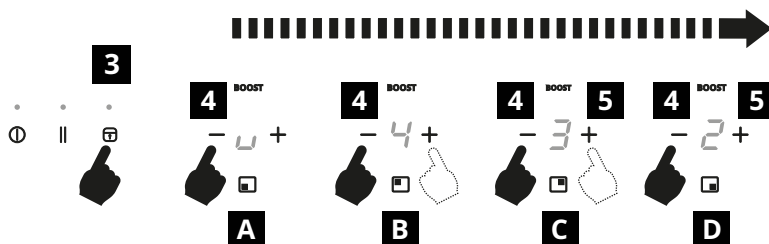
**4.** This opens the menu to set the power according to the load capacity of your household network. Press the + key (5) of cooking zone (C); the display will show a

"0". Keep pressing until the desired value is reached. Adjust the power values from "0" to "6" (see table below) using the + (5) or - (4) keys.

**5.** To confirm, press the **Pause** key (2) for 2 seconds.

Code	Max power Watt
0	7400 W
1	6000 W
2	5000 W
3	4000 W
4	3500 W
5	3000 W
6	2500 W

## User menu customisation



To configure the product, proceed as follows:

1. Connect the hob to the household power supply.
2. Press and hold the **Lock** key (3), then in sequence, from **left to right**, press the - keys (4) for the **A-B-C-D** cooking indicators. A short beep will sound with each press of the - key (4). After pressing all the indicator keys, release the **Lock** key (3).

3. The cooking zone (A) display will show a "U" and the cooking zone (B) display will show a number ranging from "0" to "4", indicating the menu code (see table below).
4. To adjust or change the menu code, use the + (5) or - (4) keys of cooking zone (B).
5. To adjust the menu values, use the + (5) or - (4) keys of cooking zone (C).
6. To confirm, press the **Lock** key (3) for 2 seconds.

Menu Code	Description	Value
U0	Filter setting menu	0 - Off 1 - Activated carbon filter only 2 - Grease filter only 3 - Both filters active (Default)
U1	Buzzer volume control menu.	0 - Off 1 - Low 2 - Medium 3 - High (Default) Caution! Some sounds cannot be disabled. Therefore, if set to 0, they will still be played at Low volume.
U2	Automatic extractor fan on/off mode	0 - Function disabled at start-up. 1 - Function enabled at start-up (Default)
U3	Child safety lock at start-up	0 - Function disabled at start-up (Default) 1 - Function enabled at start-up.
U4	Timer duration menu	0 - 60 seconds 1 - 30 seconds (Default) 2 - 10 seconds 3 - 0 seconds

**Daily use**


**Things to know before starting**

All functions of this hob are designed to comply with the most stringent safety regulations.

**For this reason:**


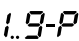


- Some functions will not be activated, or will be automatically deactivated, in the absence of pots on the burners or when they are poorly positioned.
- In other cases the activated functions will be automatically deactivated after a few seconds, if the specific function requires a further setting that has not been selected (e.g.: "Turn the hob on" without "Selecting the cooking zone" and the "Power Level", or the "Lock Function" or the "Timer" function). Wait for the display to turn off before approaching the cooking zone.


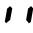
**Attention!** In the case (for example) of prolonged use, the cooking zone may not immediately shut down because it is in the

cooling phase; the  symbol will appear on the cooking zone display to indicate that this phase is under way. Wait for the display to turn off before approaching the cooking zone.

**Cooking zone display**

The following is shown on the cooking zone displays:

Function	Value
Cooking zone on	
Power Level	
Residual Heat Indicator	
Cleaning Mode-Child Lock	

Function	Value
No pot indicator	
Pause function	

**Safe Activation.**

The product is activated only in the presence of pots on the cooking zone: the heating process does not start or is interrupted if there are no pots, or if these are removed.

If the pot is removed during operation, or if an unsuitable pot is used, the display next to the bar graph will flash with the symbol



**Safety Shut Down.**

For safety reasons, each cooking zone has a maximum operating time, which depends on the power level set.

Cooking level	Maximum duration (min)
1	516
2	402
3	318
4	258
5	210
6	138
7	138
8	108
9	90

**Automatic Switch Off.**

Automatic switch-off occurs when the product is switched on but there are no longer any active functions.

**Residual Heat Indicator.**

The residual heat indicator is a safety feature that alerts the user when the surface of the cooking zone is still at or above 45°C, and could cause burns upon contact with bare hands. The corresponding cooking zone display shows



### - Hob operation

Note: Before activating any functions, the desired zone must be enabled.

### - Power Level

The hob features **9** power levels.

Select the **+** (**5**) or **-** (**4**) keys to adjust the desired power level.

### - Switch-on (1)

Pressing the **On/Off** key (**1**) switches the Hob and Extractor Fan on; a fixed **0** will be appear on all the displays (**A-B-C-D**) for about 20 seconds. If no operation is carried out within this time, the hob will switch off.

- Select the desired cooking zone and set the power level using the **+** (**5**) and **-** (**4**) keys.

- If the power level is set to **0**, selecting the **-** key (**4**) will it set directly to **9**.

- If the power level is set to **9**, selecting the **+** key (**5**) will it set directly to **0**.

- Holding **+** (**5**) or **-** (**4**) pressed will increase/decrease the power level quickly, stopping automatically at **0** or **9**.

To switch off a cooking zone, press and hold both the **+** (**5**) and **-** (**4**) keys simultaneously for 1 second.

### - Power Booster (11)

The product features a **Booster** system which allows you to accelerate the cooking times, by adding extra power to the standard power for a specific period.

- To activate it, switch on the desired cooking zone and press the **Booster** key (**11**); the letter **P** will appear on the display.

- The **Booster** function will be active for about 5 minutes. After this time, cooking will continue at level **9**.

- Pressing **+** (**5**) or **-** (**4**) or "**Booster**" will disable the function.

The **Booster** may not be activated in case of excessively high temperature.

### - Safety devices (lock (3))

The lock key (**3**) prevents the hob and extractor fan from being accidentally switched on.

It can be used for hob cleaning during cooking (**Cleaning Mode**) operation or to prevent access to the hob/extractor fan by children or users requiring supervision (**Child Lock**).

- The hob can be switched on but no cooking zone can be selected.

- The lock (**3**) safety setting is saved even when the hob is switched off or there is a power outage, this function is only active for child safety (**Child Lock**).

- If the hob is switched on and the lock safety setting is active, the **ON/OFF** key still works.

### - Cleaning Mode (3)

Locks the hob and extractor fan settings to prevent accidental tampering, **leaving the pre-set functions active**.

- To activate the function, press the lock key (**3**). The key's corresponding LED will switch on followed by a warning beep.

- The letter "**L**" will appear on the cooking zone displays for 4 seconds.

If one or more areas are still hot, the letter "**H**" and "**L**" will alternately appear on the relative displays.

- To disable the function, press key (**3**) for 2 seconds. A warning beep will sound and the corresponding LED will switch off.

### - Child Lock (3).

**Locks all the inactive functions** and prevents accidental operation of the hob/extractor fan via the following procedure:

- switch on the hob (if it is off) by selecting the **"On/Off"** key (1).
- Press the lock key (3) for 4 seconds, the LED of the corresponding key will switch on followed by a beep.
- The letter **"L"** appears on the cooking zone displays; this indicates that the function is active.
- If one or more areas are still hot, the letter **"H"** and **"L"** will alternately appear on the relative displays.
- To disable the function, press and hold key (3) for 4 seconds; the letter **"L"** disappears from the display and the LED turns off, followed by a beep.

### - Pause function (2)

This function allows you to **pause** any active functions on the hob, reducing the power available in the cooking zone(s) to level 1.

To activate it, press key (2). The **' '** symbol will appear on the hob display, indicating that the function is enabled.

The active timers continue to function with the pause function set.

If the pause function (2) is not disabled within 10 minutes, the hob automatically switches off.

To disable the function, press the **pause** key (2) again.

Once the pause function has been disabled, the cooking zone starts operating again at the previously set level.

Every operation is accompanied by a 'beep'.

### - Timer (15)

Using this feature, it is possible to set a time (from 1 to 99 minutes) after which the selected cooking zone automatically switches off.

The Timer can be activated for all the cooking areas.

- Pressing the timer key (15) key, it cycles clockwise through the timers of the 4 cooking zones **A1-B1-C1-D1**; the cooking zones are indicated by the corresponding **LED (17)**.

- Set the switch-off time for the cooking zones using the **+** (16) and **-** (14) keys; wait 5 seconds or press the timer key (15) to confirm.

- The number of minutes remaining will be shown on the timer display.

- Multiple timers can be set, although only the one nearest to completion will be displayed.

To check remaining time for each cooking zone, press key (15).

- When a timer ends, a beep will be emitted and the respective cooking zone will be switched off.

### - Extractor fan (6) operation

To enable the extractor fan on, the hob must be switched on.

LED (17) on function enabled.

LED (17) off function disabled.

- Key (7) automatic On/Off mode, the fan speed increases or decreases depending on the temperature of the hob and energy consumption.

- Key (8) Extractor fan and first speed On/Off.

- Key (9) Extractor fan and second speed On/Off.

- Key (10) Extractor fan and third speed On/Off.

- Key (11) Booster (lasts 5 minutes, then returns to the previously set speed).

**Attention!** If the On/Off key is pressed at the end of cooking, the extractor fan continues for another 5 minutes at the first speed; the LED flashes until the time elapses, after which the extractor fan switches off.

### - Grease filter saturation indicator (12)

When the LED lights up, grease filter maintenance is required.

- To reset, press and hold keys 7-8 for 3 seconds; the LEDs of keys 7-8 will flash and a beep will sound to confirm the reset (LEDs 12-7-8 switch off).

**- Carbon filter saturation indicator (13)**

When the LED lights up, carbon filter maintenance is required.

- To reset, press and hold keys 7-9 for 3 seconds; the LEDs of keys 7-9 will flash and a beep will sound to confirm the reset (LEDs 13-7-9 switch off).

## Power management function

This product features an electronically controlled power management function.

This function regulates the maximum power output across the cooking zones used, optimising power distribution and preventing system overloads.

**Hob at maximum power level**, this function distributes the power across the cooking zones used, automatically reducing the power of the other cooking zones, if necessary (priority is given to the most recent command).

**Hob with power limitation**, this function distributes the available power across the cooking zones, preventing the other cooking zones from exceeding the set limit (to increase the power of a specific cooking zone, the set power level for the other zones must be manually reduced).

**Example:**

If the supplementary BOOST power level is selected for cooking zone **A**, cooking zone **B** cannot simultaneously exceed power level 9 and will be automatically restricted.

## Cooking table

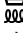
Power level		Cooking type	Use (based on cooking experience and habits)
Max power	P	Heat quickly	raises the temperature of food in a short space of time to boiling point for water, or to quickly heat cooking liquids
	8 - 9	Fry - boil	browning, starting cooking, fry frozen products, boil quickly
High power	7 - 9	Brown - fry - boil - grill	browning, fast rolling boil, cooking and grilling (for brief periods, 5-10 minutes)
	6 - 7	Brown - cook - stew - fry - grill	browning, slow rolling boil, cooking and grilling (for medium periods, 10-20 minutes), pre-heat accessories
Medium power	4 - 5	Cook - stew - fry - grill	stewing, light rolling boil, cooking (for long periods), dressing pasta
	3 - 4	Cook - simmer - thicken - cream	longer cooking (rice, sauces, roasts, fish) with accompanying liquids (e.g. water, wine, stock, milk), dressing pasta
	2 - 3	Cook - simmer - thicken - cream	longer cooking (volumes less than one litre: rice, sauces, roasts, fish) with accompanying liquids (e.g. water, wine, stock, milk)
Low power	1 - 2	Melt - thaw - keep warm - stir	melting butter, gently melting chocolate, defrosting small products
	1	Melt - thaw - keep warm - stir	keeping small portions of just-cooked food warm or maintaining dishes at serving temperature and creaming risottos
OFF	0	Support surface	Hob in stand-by or off (possible presence of residual heat from the end of cooking, signalled by H-L-O)

## Cookware guidance

### Which pots to use

Only use pots with a bottom made of ferromagnetic material suitable for use on induction hobs:

- cast iron
- enamelled steel
- carbon steel
- stainless steel (even partially)
- aluminium with a ferromagnetic coating or a base incorporating a ferromagnetic plate.

To verify whether or not a pot is suitable, check for the  symbol (normally stamped on the bottom). Alternatively, hold a magnet near the underside of the pot. If it sticks, the pot is compatible with an induction hob.

To ensure optimal performance, always use pots and pans with a flat bottom, capable of evenly distributing the heat. An uneven bottom may negatively affect power and heat conduction.



### How to use the pots

Minimum pot diameter for the various cooking zones To ensure correct operation of the hob, the pot should cover one or more of the reference points indicated on the surface of the hob, and must meet the minimum diameter requirement. Always use the cooking zone that best matches the diameter of the pot bottom.

Cooking zone	Pot bottom diameter	
	Ø min (recommended)	Ø max (recommended)
Rear left	110 mm	160 mm
Front left	120 mm	220 mm
Rear right	120 mm	220 mm
Front right	110 mm	160 mm

### Empty or thin-bottom pots/pans

Do not use empty or thin-bottom pots/pans on the hob, as this prevents proper temperature control and may inhibit the automatic power-off of the cooking zones if the temperature is too high, risking damage to the pot or the surface of the hob. Should this occur, do not touch anything and wait until all the components have cooled. If an error message appears, see the "Troubleshooting guide".

### Tips/suggestions

Noises during operation When a cooking zone is activated, a brief humming sound may be heard. This phenomenon is typical of glass-ceramic cooking zones and does not affect the operation or service life of the appliance. The noise may also depend on the type of pot used. If the noise is particularly strong, it may be helpful to use a different pot.

### Typical induction hob operating noises

Induction technology works by generating electromagnetic fields that produce heat directly at the bottom of the pots. Pots and pans may emit noises or vibrations

depending on how they have been manufactured. These noises can be described as follows:

#### Light humming (similar to that of a transformer)

This sound occurs at very high cooking temperatures. It depends on the amount of energy being transferred from the hob to the pot. The noise either stops or diminishes when the heat level is reduced.

#### Light whistling

This sound occurs when the cookware is empty. The noise stops once liquids or foods are added to the cookware.

#### Crackling

This sound occurs when the pot is made from multiple overlapping layers. It is caused by vibrations between the surfaces composed of different materials in contact with each other. The noise is generated by the pot itself and can vary depending on the amount of food or liquid, and the cooking method (e.g. boiling, simmering, frying).

#### Loud whistling

This sound occurs when the pot is made from different, layered materials, and is used on the hob at maximum power, and also across two cooking zones. The noise either stops or diminishes when the heat level is reduced.

#### These noises are normal

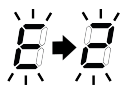
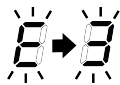
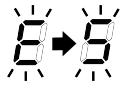
##### Fan noises

For the electronic system to work properly, the hob temperature must be regulated. To this end, the hob is fitted with a cooling fan that is activated to reduce and regulate the temperature of the electronic system. The fan may continue to run even after the hob has been switched off if the detected temperature is still too high.

**Rhythmic noises, similar to a ticking clock.**

This sound only occurs when at least three cooking zones are active, and disappears when two are switched off. These noises, described as normal induction technology phenomena, are not considered faults.

**Troubleshooting**

Informative code	Description	Possible causes	Solution
	The command zone switches off due to an excessively high temperature	The temperature inside the electronic parts is too high	Wait for the hob to cool before reusing it
	Container unsuitable	Loss of magnetic properties	Remove the pot
	Communication problems between the user interface and induction module	No power supply to the module; the power cable has not been connected correctly or it is faulty	Disconnect the hob from the electrical network and check the connection
<b>For all other error signals</b>	Call customer service and report the error code		

Before contacting the Service Centre, see if it is possible to solve the problem yourself based on the points described in "Troubleshooting".

If, despite all the checks, the hob does not work and the problem persists, call the Service Centre.

Communicate:

- the machine model (Mod.)
- the serial number (S/N)

The serial number can be found on the information data label located on the device and/or on the packaging.

**Please note! Never resort to unauthorised technicians and always refuse the installation of non-original spare parts.**

## Technical Data

Technical data of the hob extractor			
		Unit	Value
Identification model			<b>TACKNAN 10598635</b>
Product type			RECESSED
Dimensions	Width	mm	600
	Depth	mm	515
	Height	mm	255
Max air flow rate* - Suction installation		m <sup>3</sup> /h	480
Max noise* - Suction installation			61
Max air flow rate* - Filter installation**			380
Max noise* - Filter installation**			68
Rated extractor power		W	160
Rated hob power		W	7240
Maximum total power		W	7400
Power consumption	Off Mode	Wh	0.49
	Stand By	Wh	N/A
Product weight		Kg	15.4
Extractor energy efficiency			
Product information in accordance with EU Regulation no. 65/2014			
Name of Supplier		<b>IKEA</b>	<b>IKEA</b>
Annual energy consumption - AEC		Kwh/year	34.5
Energy efficiency class			To
Fluid dynamic efficiency FDE		%	29
Fluid dynamic efficiency class			To
Grease filtering efficiency - GFE		%	85.1
Grease filtration efficiency class			B
Minimum air flow (normal power)		m <sup>3</sup> /h	205
Maximum air flow (normal power)		m <sup>3</sup> /h	480
Air flow setting in boost mode		m <sup>3</sup> /h	590
A-weighted sound power level of sound emissions at minimum speed		dba	44
A-weighted sound power level of sound emissions at maximum speed		dba	61
A-weighted sound power level of sound emissions in boost mode		dba	66

Power consumption in off-P0 mode	W	0.49	
Power consumption in standby-Ps mode	W	N/A	
<b>Product information in accordance with EU Regulation no. 66/2014</b>			
Time increase factor - f		1	
Energy efficiency index - EEI		51.3	
Air flow measured at the best efficiency point - QBEP	m <sup>3</sup> /h	290	
Air pressure measured at the best efficiency point - PBEP	Pa	340	
Maximum air flow - Qmax	m <sup>3</sup> /h	480	
Electricity consumption at the best efficiency point - WBEP	W	94.5	
<b>Hob energy efficiency</b>			
<b>Product information according to EU Directive no. 66/2014</b>		<b>Unit</b>	<b>Value</b>
Identification model			<b>TACKNAN 10598635</b>
Product type			Induction
Number of cooking zones			4
Cooking technology			Induction
Diameter of circular cooking zones (∅)	Front Left	mm	220
	Rear Left		160
	Front Right		160
	Rear Right		220
Energy consumption per cooking zone (EC electric cooking)	Front Left	Wh/Kg	191.9
	Rear Left		195.8
	Front Right		181.0
	Rear Right		174.4
Total energy consumption		Wh/Kg	185.8

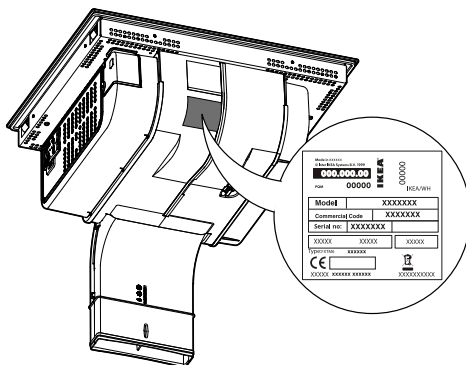
EN 60350-2 - Electrical cooking appliances - Part 2: Hobs - Performance measurement methods

<b>Product information for energy consumption and the maximum time to reach the applicable low power mode</b>	<b>Unit</b>	<b>Value</b>
Power consumption in off mode	W	0.5
Maximum time required for the device to automatically reach the applicable low power mode	Min	3

\*Maximum speed (excluding Boost)

\*\* Filter installation - Air flow rate value for filter installation complete with filter kit NYTTIG 806-231-27 for hob

The technical data and the serial number are shown on the plate located on the inside of the appliance.



## Manufacturer

Ikea of Sweden AB-SE-343 81 Älmhult, Sweden

## IKEA WARRANTY

### How long does the IKEA warranty last?

This warranty is valid for 5 years from the date of purchase/delivery of your appliance from an IKEA store. You will need to show your original receipt as proof of purchase. Any servicing carried out during the warranty period does not extend the warranty period.

### Who provides the service?

The assistance service chosen and authorised by IKEA will provide the service through its network of authorised Service Partners.

### What does this warranty cover?

The warranty covers any manufacturing defects (functional defects), from the date of purchase/delivery of the appliance. This warranty applies to domestic use only. Any exceptions are described under "What is not covered by the warranty?". During the warranty period, repair costs (spare parts, labour and travel costs of technicians) will be borne by the assistance service, provided that access to the equipment for repair work does not involve any special costs. These conditions are in accordance with EU directives (No. 99/44/EC) and local regulations. Any replaced components become the property of IKEA.

### How will IKEA solve the problem?

The assistance service appointed by IKEA to carry out the intervention will examine the product and decide, at its sole discretion, whether it is covered by the warranty or not. The IKEA Assistance Service or its authorised Service Partner, through their respective Service Centres, at their sole discretion, will repair the defective product or replace it with an equal product or one of equivalent value.

### What is not covered by the warranty?

- Normal wear and tear
- Damage caused deliberately, damage caused by failure to comply with the operating instructions, incorrect installation or by connecting to an incorrect voltage.

Damage caused by chemical or electro-chemical reactions, rust, corrosion or damage caused by water, including damage caused by the presence of excessive limescale in the water pipes. Damage caused by weather and natural events.

- Consumables, including batteries and light bulbs.
- Damage to non-functional and decorative parts that do not affect the normal use of the appliance, including scratches and colour differences.
- Accidental damage caused by foreign bodies or substances and damage caused by cleaning or eliminating clogging from filters, drainage systems or detergent trays.
- Damage to the following components: glass ceramic, accessories, baskets for cutlery and tableware, supply and drainage pipes, light bulbs and light bulb covers, grilles, knobs, coating and parts of coating. Unless it can be proved that such damage was caused by manufacturing errors.
- Cases in which functional defects are not found by the technician upon inspection.
- Repairs not performed by our authorised Assistance Service and/or by an authorised contractual Service Partner or if non-original spare parts are used.
- Repairs caused by incorrect installation or installation not in accordance with the specifications.
- Cases of improper use and/or non-domestic use of the appliance, e.g. professional use.
- Transport damage. If it is the customer who transports the product to his/her home or to another address, IKEA is not responsible for any damage that may occur during transport. On the other hand, if IKEA delivers the product to the customer's address, any damage to the product during transport will be covered by IKEA.

- Costs relating to the first installation of the IKEA appliance. However, if an IKEA service provider or its authorised partner repairs or replaces the appliance within the terms of this warranty, the service provider or authorised partner will reinstall the repaired appliance or install the replacement appliance, if necessary. These restrictions do not apply to regular work carried out by qualified technicians with original spare parts to adapt the appliance to the technical safety regulations of another EU country.

### Application of national laws

The customer is the owner of the rights provided for by the Italian Legislative Decree no.206/2005 and this 5 (five) year IKEA warranty does not affect these rights which meet or extend the minimum legal rights of each country in terms of warranty. These conditions do not, however, limit the customer's rights, as defined by local laws, in any way.

### Area of validity

For appliances purchased in one EU country and taken to another EU country, the services will be provided according to the warranty conditions applicable in the new country. The obligation to provide the service based on the warranty conditions exists only if the appliance complies with and is installed according to:

- the technical specifications of the country in which the application of the warranty is required;
- the safety information contained in the Assembly Instructions and in the User Manual.

### The dedicated ASSISTANCE service for IKEA appliances

Do not hesitate to contact the Authorised Service Centre appointed by IKEA to:

- request technical assistance during the warranty period
- request information on the operation of IKEA appliances.

To ensure you get the best assistance, please read the assembly instructions and/or the instruction manual of the product carefully before contacting us.

### How to contact us if you need assistance



Please contact the IKEA Service Centre. You will find the phone number on the last page of this manual.

**i** In order to provide you with faster service, we suggest that you use the telephone numbers listed in this manual. Always refer to the numbers indicated in the manual of the appliance for which you require assistance. We advise you to always have available the IKEA code (8 digits) and the 12-digit code indicated on the label on your product.

**i** KEEP THE PURCHASE/DELIVERY DOCUMENT!

It is your proof of purchase and the warranty will not be valid without it. The receipt also features the name and the IKEA article number (8 digits) for each appliance purchased.

### Need more help?

For any information not involving assistance, please refer to the Customer Service of your reference IKEA store. Please read the technical documentation provided with your appliance carefully before contacting us.

## Inhalt

Sicherheitshinweise	32	Anpassung des Benutzermenüs	48
Installation	35	Täglicher Gebrauch	49
Stromanschluss	36	Funktion der Leistungsverwaltung	52
Tipps zum Umweltschutz	41	Kochtabelle	53
Verwendungsempfehlungen	41	Anweisungen zur Verwendung der Töpfe	53
Verwendung	41	Störungsbehebung	55
Reinigung und Wartung	42	Technische Daten	56
Produktbeschreibung	44	Hersteller	58
Bedienfeld	45	IKEA GARANTIE	59
Leistungsbegrenzung	47		

## Sicherheitshinweise

### Vor der ersten Verwendung

**Die in diesem Handbuch aufgeführten Anleitungen müssen streng eingehalten werden.**

Es wird für allfällige Zwischenfälle, Schäden und Brände im Gerät nicht gehaftet, die aus der Nichteinhaltung der in diesem Handbuch aufgeführten Anleitungen stammen. Das Gerät ist ausschließlich für den häuslichen Gebrauch zum Kochen von Lebensmitteln und zum Absaugen von Dämpfen aus dem Kochvorgang selbst bestimmt.

Andere Verwendungen (wie z.B. die Raumheizung) sind verboten. Der Hersteller lehnt jegliche Haftung für Missbräuche oder fehlerhafte Einstellungen der Steuerelemente ab.






Bewahren Sie diese Anleitung immer bei dem Gerät auf, auch wenn es an Dritte weitergegeben oder übertragen wird. Es ist wichtig, dass die Benutzer mit allen Bedienungs- und Sicherheitsfunktionen des Geräts vertraut sind.

Lesen Sie die Anweisungen sorgfältig durch: Es gibt wichtige Informationen zur Installation, Verwendung und Sicherheit. Keine elektrischen Veränderungen am Gerät vornehmen.

Vergewissern Sie sich vor dem Einbau des Gerätes, dass alle Komponenten unbeschädigt sind. Sollten

Beschädigungen vorhanden sein, den Händler kontaktieren und die Installation nicht fortsetzen.

Überprüfen Sie die Unversehrtheit des Geräts, bevor Sie mit der Installation fortfahren. Sollten Beschädigungen vorhanden sein, den Händler kontaktieren und die Installation nicht fortsetzen.

-  Dies ist das sicherheitsrelevante Gefahrensymbol, das vor möglichen Risiken für den Benutzer und andere warnt. Allen sicherheitsrelevanten Meldungen werden das Gefahrensymbol und die folgenden Begriffe vorangestellt:
-  **GEFAHR:** weist auf eine gefährliche Situation hin, die, wenn sie nicht vermieden wird, zu schweren Verletzungen führen wird.
-  **WARNHINWEIS:** weist auf eine gefährliche Situation hin, die, wenn sie nicht vermieden wird, zu schweren Verletzungen führen kann.
-  **WARNHINWEIS:** Wenn Sie die Schrauben oder Befestigungen nicht gemäß dieser Anleitung anbringen, kann dies zu elektrischen Gefahren führen.
-  **WARNHINWEIS:** Diese Anleitungen genau einhalten:



- Das Produkt muss vor der Durchführung von Installationsarbeiten von der Stromversorgung getrennt werden.
- Bei allen Vorgängen der Installation und Wartung Arbeitshandschuhe verwenden.
- Die Installation oder Wartung muss von einem spezialisierten Techniker in Übereinstimmung mit den Anweisungen des Herstellers und unter Beachtung der geltenden örtlichen Sicherheitsvorschriften durchgeführt werden.
- Zur Installation nur die mit dem Produkt gelieferten Befestigungsschrauben verwenden oder, falls nicht geliefert, den entsprechenden Schraubentyp kaufen.
- Die korrekte Länge für die Schrauben, die in der Installationsanleitung angegeben sind, verwenden.
- Keinen Bauteil des Produkts reparieren bzw. ersetzen, wenn nicht spezifisch im Bedienungshandbuch gefordert.
- Kinder müssen beaufsichtigt werden, um sicherzustellen, dass sie nicht mit dem Gerät spielen.
- Halten Sie Kinder in einem sicheren Abstand und stellen Sie sicher, dass sie ständig überwacht werden, da die zugänglichen Teile während des Gebrauchs sehr heiß werden können.
- Das Produkt darf von Kindern ab dem Alter von 8 Jahren und von Personen mit eingeschränkten körperlichen, sensorischen oder geistigen Fähigkeiten oder ohne Erfahrung oder notwendige Kenntnisse nur benutzt werden, wenn sie beaufsichtigt werden oder vorher Anweisungen zur sicheren Verwendung des Produkts und zum Verständnis der damit verbundenen Gefahren erhalten.
- **⚠ WARNHINWEIS:** Das Produkt und seine zugänglichen Teile werden während der Verwendung heiß. Darauf achten, die Heizelemente nicht zu berühren.
- Die Heizelemente des Produkts während und nach der Benutzung nicht berühren.
- Kontakt mit Tüchern oder anderen entzündbaren Materialien vermeiden, bis alle Komponenten des Produkts ausreichend abgekühlt sind; es besteht Brandgefahr.
- Brandgefahr: Keine Gegenstände auf der Kochfläche lagern.
- Überhitzte Fette und Öle fangen leicht Feuer.
- **⚠ WARNHINWEIS:** Unbeaufsichtigtes Kochen auf einem Kochfeld mit Fett oder Öl kann gefährlich sein und einen Brand verursachen.
- Das Frittieren muss unter Kontrolle durchgeführt werden, um zu verhindern, dass sich überhitztes Öl entzündet.
- **⚠ WARNHINWEIS:** Der Kochprozess muss überwacht werden. Ein kurzzeitiges Garen muss ständig überwacht werden.
- NIE versuchen, die Flammen mit Wasser zu löschen. Das Produkt stattdessen abschalten und die Flammen z.B. mit einem Topfdeckel oder einer Feuerlöschdecke ersticken.
- Die Austritte von Flüssigkeiten vermeiden. Daher soll die Wärmeerzeugung zum Kochen oder Aufwärmen von Flüssigkeiten abgesenkt werden.
- Die Heizelemente mit leeren Töpfen und Pfannen oder ohne Behälter nie eingeschaltet lassen.
- Niemals eine Konserven- oder Blechdose erhitzen, ohne sie vorher geöffnet zu haben: Sie könnte explodieren! Diese Warnung gilt für alle anderen Sorten von Kochfeldern.
- Wenn Sie mit dem Kochen fertig sind, schalten Sie die entsprechende Kochzone aus.
- Das Produkt ist nicht dafür bestimmt, durch eine externe Zeitschaltuhr oder ein separates Fernbedienungssystem eingeschaltet zu werden.
- Verwenden Sie keine Dampfreiniger, es besteht die Gefahr eines Stromschlags.

- Das Produkt vor jeglichem Vorgang der Reinigung oder Wartung vom Stromnetz abtrennen, indem der Stecker herausgezogen oder der Hauptschalter der Wohnung betätigt wird.
- Die Reinigung und Wartung darf nicht von Kindern ohne Aufsicht ausgeführt werden.
- Das Produkt muss regelmäßig (MINDESTENS EINMAL PRO MONAT) innen und außen gereinigt werden; beachten Sie in jedem Fall die Wartungsanweisungen.
- Für die Menschen, die einen Herzschrittmacher und eine aktive Anlage tragen, ist es wichtig zu prüfen, dass ihr Herzschrittmacher mit dem Produkt kompatibel ist.
- **⚠ WARNHINWEIS:** Wenn die Oberfläche Risse aufweist, schalten Sie das Gerät aus, um die Möglichkeit eines Stromschlags zu vermeiden. Wenn das Gerät über eine Anschlussdose direkt an den Strom angeschlossen ist, entfernen Sie die Sicherung, um sie von der Stromversorgung zu trennen. Wenden Sie sich in jedem Fall an den autorisierten Kundendienst.
- Brandgefahr: Keine Gegenstände auf die Kochfläche stellen.
- Legen Sie keine Metallgegenstände wie Messer, Gabeln, Löffel und Deckel auf die Oberfläche des Kochfeldes, da diese sich überhitzen könnten.
- Wichtig: Das Kochfeld nach der Benutzung mit seiner Steuervorrichtung abschalten und sich nie auf dem Topffühler verlassen.
- Verwenden Sie niemals Alufolie zum Kochen und legen Sie niemals aluminiumverpackte Produkte direkt auf. Das Aluminium würde schmelzen und Ihr Produkt unwiderruflich beschädigen.
- Die Benutzung einer hohen Leistung wie die Booster-Funktion eignet sich nicht zum Aufwärmen von einigen Flüssigkeiten, wie z.B. das Bratöl. Überhöhte Wärme könnte gefährlich sein. In diesen Fällen wird die Benutzung einer niedrigeren Leistung empfohlen.
- Die Behälter müssen direkt auf das Kochfeld gestellt werden und zentriert sein. Auf keinen Fall dürfen andere Gegenstände zwischen Herd und Kochfeld eingesetzt werden.
- Bei hohen Temperaturen senkt das Produkt die Leistungsstufe der Kochbereiche automatisch ab.
- **⚠ WARNHINWEIS!** Wenn das Kochfeld eingeschaltet ist, können die zugänglichen Teile des Geräts heiß werden.
- Wenn Sie das Produkt nicht reinigen und die Filter nicht austauschen / reinigen, kann dies zu Brandgefahr führen.
- Flambieren ist absolut verboten.
- Der Einsatz der freien Flamme ist für die Filter schädlich und kann zu Bränden führen, es muss daher in jedem Fall vermieden werden.
- Der Raum muss über eine ausreichende Belüftung verfügen, wenn das Produkt gleichzeitig mit anderen Geräten, die Gas oder andere Brennstoffe verbrennen, verwendet wird.
- Was die technischen und Sicherheitsmaßnahmen bezüglich der Abführung der Rauchgase betrifft, müssen die Vorgaben der Verordnungen der zuständigen lokalen Behörden genauestens eingehalten werden.
- Die angesaugte Luft darf nicht in einen Kanal geleitet werden, der für die Abführung der Rauchgase von Geräten, die mit Gas oder anderen Brennstoffen betrieben werden, verwendet wird.
- Benutzen Sie das Produkt niemals ohne korrekt montiertes Gitter!

## Installation

**Sowohl die elektrische Anlage als auch die Installation müssen von einem Fachelektriker durchgeführt werden.**

### Bevor man die Installation beginnt:

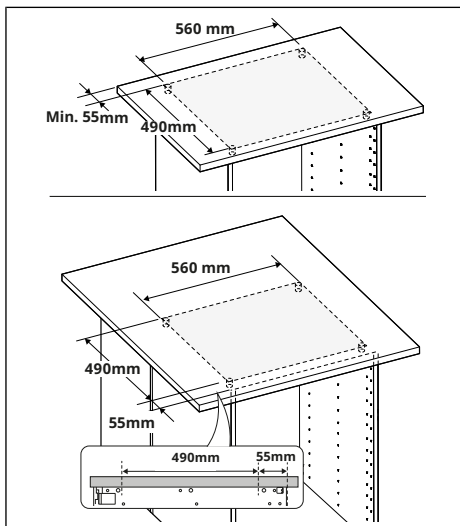
Überprüfen Sie nach dem Auspacken des Produkts, dass es während des Transports nicht beschädigt wurde und wenden Sie sich im Problemfall an den Kundendienst, bevor Sie mit der Installation fortfahren; Überprüfen Sie, ob das gekaufte Produkt geeignete Abmessungen für den gewählten Installationsbereich hat; Überprüfen Sie, dass sich in der Verpackung kein (aus Transportgründen) Zubehörmaterial befindet (z. B. Umschläge mit Schrauben, Garantien usw.). Entfernen Sie es und lagern Sie es an einem sicheren Ort.

Das Gerät ist zum Einbau in die Küchenarbeitsplatte oberhalb eines Schrankes mit einer Breite von 600 mm oder mehr bestimmt.

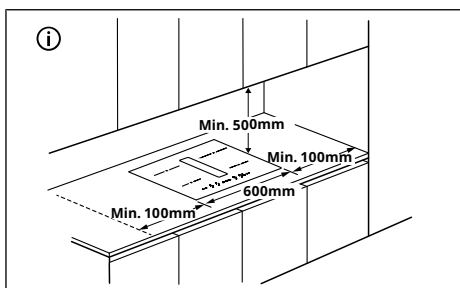
### Vorbereitung des Möbels für den Einbau:

Das Produkt darf nicht auf Kühlgeräten, Geschirrspülern, Öfen, Backöfen, Waschmaschinen und Trocknern installiert werden. Führen Sie alle Arbeiten zum Schneiden des Möbels durch, bevor Sie das Kochfeld einsetzen, und entfernen Sie Späne oder Sägemehlreste sorgfältig.

- Der Mindestabstand zwischen dem Kochfeld und der Wand muss mindestens 55mm, mindestens 100mm zur Seite und mindestens 500mm zu den oberen Oberschränken sein.



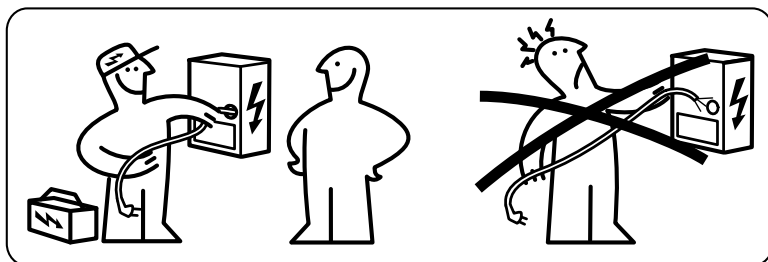
- **HINWEIS:** Bei der Gestaltung des Raums müssen die Anweisungen des Küchenherstellers beachtet werden.



- Um die Installation des Filtersystems abzuschließen, verwenden Sie das NYTTIG-Kanal-Kit.



**⚠️ WARNHINWEIS:** Wenn die Schrauben und die Befestigungsvorrichtungen nicht gemäß diesen Anleitungen installiert werden, kann es zu elektrischen Risiken kommen.

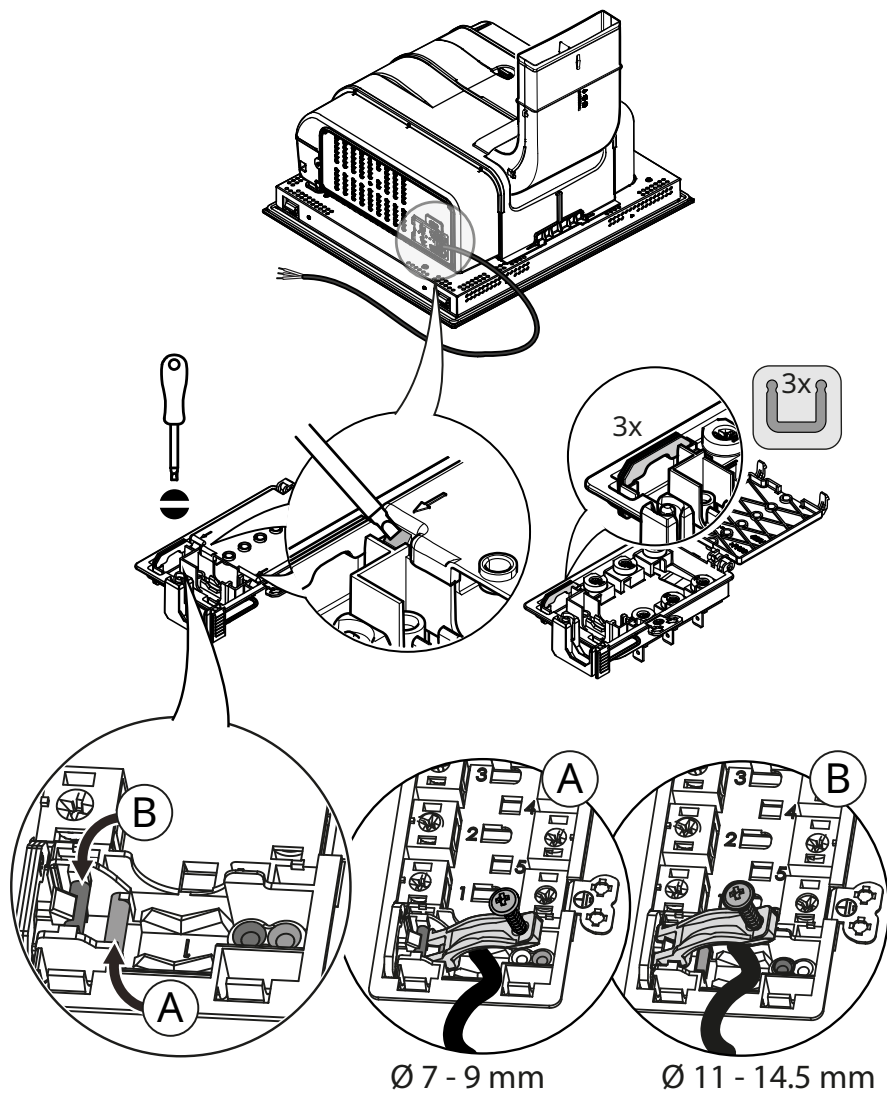
## Stromanschluss



- **⚠️ WARNHINWEIS:** Alle elektrischen Anschlüsse müssen von einem autorisierten Installateur vorgenommen werden. Überprüfen Sie, ob die auf dem Typenschild des Geräts angegebene Spannung mit der Netzspannung übereinstimmt.
- **⚠️ WARNHINWEIS:** Löten Sie nicht an Kabeln!
- **⚠️ WARNHINWEIS:** Trennen Sie das Produkt während der Installation vom Stromnetz.
- Der Hersteller lehnt jede Verantwortung gegenüber Personen, Tieren oder Gegenständen im Falle der Nichteinhaltung der in diesem Kapitel aufgeführten Richtlinien ab.
- Die Erdung des Produkts ist gesetzlich vorgeschrieben.
- Das Stromversorgungskabel muss lang genug sein, um den Anschluss des im Schrank versenkten Produkts an die Stromversorgung zu ermöglichen.
- Das Stromkabel muss ausreichend lang sein, um den Ausbau des Kochfelds aus der Arbeitsfläche zu ermöglichen.
- Keine Mehrfachsteckdosen oder Verlängerungen verwenden.
- Sich vergewissern, dass die auf der Datenplakette am Boden des Produkts angegebene Spannung mit der Spannung des Hauses übereinstimmt, in dem das Gerät installiert wird.
- Das Erdungskabel muss 2 cm länger als die anderen Kabel sein.
- Die Temperatur des Kabels muss an keiner Stelle die Umwelttemperatur um 50°C übersteigen.
- Das Produkt ist für den dauerhaften Anschluss an das Stromnetz vorgesehen. Stellen Sie daher den Anschluss an das Stromnetz über einen omnipolaren Schalter gemäß den Installationsvorschriften her, der eine vollständige Trennung vom Stromnetz unter den Bedingungen der Überspannungskategorie III gewährleistet und nach der Installation leicht zugänglich ist.
- Nachdem die Installation abgeschlossen wurde, dürfen die elektrischen Komponenten für den Benutzer nicht mehr zugänglich sein.
- **⚠️ WARNHINWEIS:** Schließen Sie das Produkt erst dann an das Stromnetz an, wenn die Installation vollständig abgeschlossen ist.
- Bevor Sie das Produkt an das Stromnetz anschließen: Überprüfen Sie das Typenschild (auf dem unteren Teil des Produkts), um sicherzustellen, dass die Spannung und Leistung mit der des Netzes übereinstimmen und dass die Anschlussbuchse geeignet ist. Im Zweifelsfall einen qualifizierten Fachelektriker konsultieren.
- Für dieses Gerät ist eine Netzanschlussleitung vom Typ H05V2V2-F erforderlich. Die Ummantelung der Leitung ist zwingend erforderlich. Gemäß IEC-Norm verwenden Sie für einphasigen Anschluss: 3 x 4 mm<sup>2</sup> Netzkabel und für mehrphasigen Anschluss: 4 oder 5 x 2,5 mm<sup>2</sup> Netz-

kabel. Kabelaußendurchmesser: min. 8 mm - max. 12 mm. Bitte beachten Sie die länderspezifischen Vorschriften.

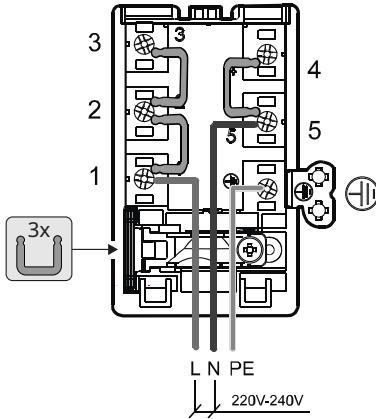
- Das Gerät ist nicht mit einem Netzkabel ausgestattet. Kaufen Sie das Richtige bei einem Fachhändler.
- Schließen Sie das Gerät wie im Schaltplan gezeigt an (in Übereinstimmung mit den national gültigen Referenznormen für die Netzspannung).
- Beachten Sie das Anschlussschema (auf der Unterseite des Produkts).
- Wenn das Netzkabel beschädigt ist, muss es von qualifiziertem Personal ausgetauscht werden, um Gefahren zu vermeiden.
-  Im Schadensfall einen qualifizierten Fachelektriker konsultieren.
-  **WARNHINWEIS:** Bevor man den Stromkreis wieder an das Stromnetz anschließt und seinen ordnungsgemäßen Betrieb überprüft, sich immer vergewissern, dass das Netzkabel ordnungsgemäß montiert wurde.



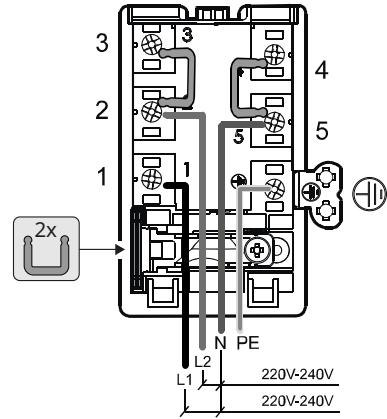
Kabelanschlussplan

Setzen Sie die Brücken  wie abgebildet zwischen die Schrauben ein:

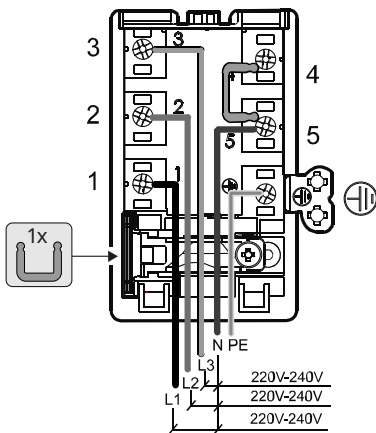
220 - 240V ~ 1+N+GND



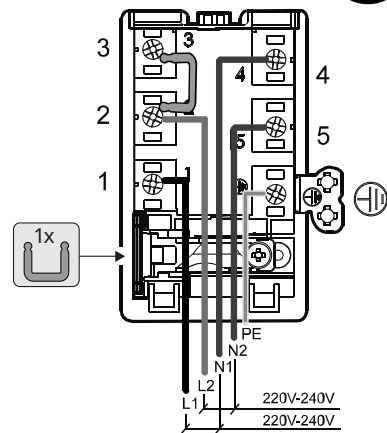
380 - 415 V ~ 2+N+GND



380 - 415V ~ 3+N+GND

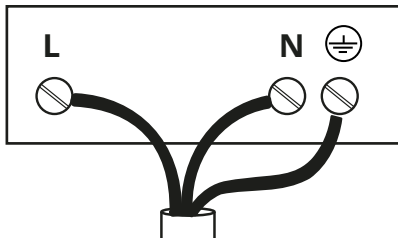


220-240V / 380-415V ~ 2+2N+GND **NL**

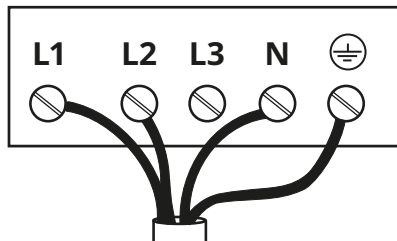


Hauseitiger Anschlussplan

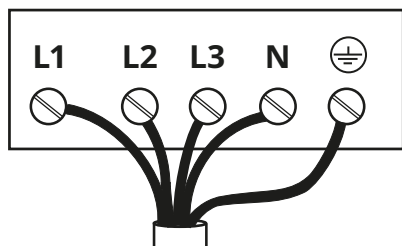
**1** 220V - 240V 1N ~



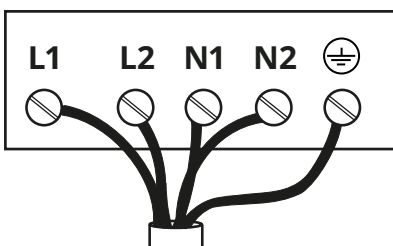
**2** 380V - 415V 2N ~



**3** 380V - 415V 3N ~



**4** 230V/400V 2N ~ **NL**



1	L	Braun
	N	Blau
	⊕	Gelb/Grün

<b>NL</b> 4	L1	Schwarz
	L2	Braun
	N1	Blau
	N2	Blau
	⊕	Gelb/Grün

2	L1	Schwarz
	L2	Braun
	N	Blau
	⊕	Gelb/Grün

3	L1	Schwarz
	L2	Braun
	L3	Grau
	N	Blau
	⊕	Gelb/Grün



## Tipps zum Umweltschutz

### Das Verpackungsmaterial

Die Verpackung ist zu 100% recycelbar und mit dem Recycling-Symbol gekennzeichnet



Die verschiedenen Teile der Verpackung sollten daher nicht in die Umwelt gelangen, sondern gemäß den von den örtlichen Behörden festgelegten Vorschriften entsorgt werden.



Das Symbol  auf dem Produkt bzw. auf den begleitenden Unterlagen bedeutet, dass dieses Produkt nicht wie ein Haushaltsabfall behandelt, sondern an der entsprechenden Sammelstelle zum Recycling von Elektro- und Elektronik-Altgeräten abgegeben werden muss.

### Energieeinsparung

- Töpfe und Pfannen zu verwenden, dessen Boden-Durchmesser gleich wie der Durchmesser des Kochbereichs ist;
- Ausschließlich Töpfe und Pfannen mit flachem Boden zu verwenden;
- Wo möglich, den Deckel auf den Töpfen während des Kochvorgangs zu lassen;
- Gemüse, Kartoffeln usw. mit einer geringen Wassermenge zu kochen, um die Kochzeit zu verkürzen;
- Den Schnellkochtopf zu verwenden; dies senkt weiterhin den Energieverbrauch und verkürzt die Kochzeit;
- Den Topf in der Mitte des Kochbereiches zu positionieren, der auf dem Kochfeld gezeichnet ist.

## Verwendungsempfehlungen

Vorschläge für die korrekte Anwendung zur Verringerung der Umweltbelastung: Wenn Sie mit dem Kochen beginnen, schalten Sie das Gerät mit minimaler Geschwindigkeit ein und lassen Sie sie auch nach dem Ende des Kochvorgangs noch einige Minuten eingeschaltet. Erhöhen Sie die Geschwindigkeit nur bei großen Mengen an Rauch und Dampf, wobei die Booster-Funktion nur in Extremfällen verwendet

wird. Um die Effizienz des Geruchsminderungssystems aufrechtzuerhalten, sollten Sie den/die Kohlefilter bei Bedarf austauschen. Um den Fettfilter effizient zu halten, reinigen Sie ihn bei Bedarf. Um die Effizienz zu optimieren und den Lärm zu minimieren, verwenden Sie den in diesem Handbuch angegebenen maximalen Durchmesser des Kanalsystems.

## Verwendung

Das System des Induktionskochen basiert auf dem physischen Phänomen der magnetischen Induktion. Die Grundeigenschaft dieses Systems ist die direkte Übertragung der Energie vom Generator an den Topf.

**Vorteile:** Im Vergleich mit Elektrokochfeldern ist Ihr Induktionskochfeld: **Sicherer:** Niedrigere

Temperatur auf die Glasoberfläche.

**Schneller:** Kürzere Aufwärmzeiten für die Gerichte. **Präziser:** Das Kochfeld reagiert sofort auf Ihre Befehle. **Effizienter:** 90% der aufgenommenen Energie wird in Wärme umgewandelt. Darüber hinaus wird, sobald der Topf vom Kochfeld weggenommen wird, die Übertragung der Wärme sofort unterbrochen, damit nutzlose Wärmeverchwendung vermieden wird.

## Reinigung und Wartung

**⚠ WARNHINWEIS:** Bevor man jegliche Reinigungs- und Wartungsarbeit vornimmt, sich vergewissern, dass die Kochbereiche ausgeschaltet sind und die Kontrolllampe für die Wärme erloschen ist.

### Reinigung des Kochfelds

Das Kochfeld ist nach jeder Benutzung zu reinigen.

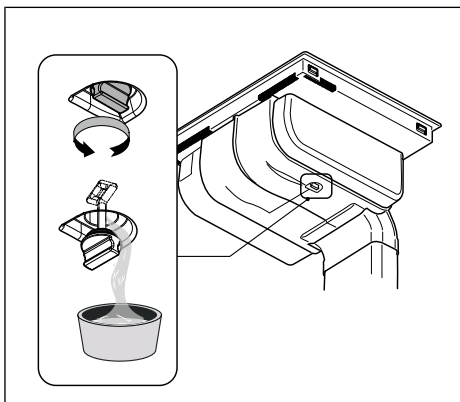
#### Wichtig:

- Keine Geschirrschwämme bzw. Metallschwämme verwenden. Sie können das Glas im Laufe der Zeit beschädigen.
- Keine irritierenden Reinigungsmittel verwenden, wie z.B. Backofenreiniger Spray bzw. Fleckenentferner.
- KEINE DAMPF-HOCHDRUCKREINIGER BENUTZEN!!!

Das Kochfeld nach jeder Benutzung abkühlen lassen und Lebensmittelrückstände entfernen. Zucker und Lebensmittel mit hohem Zuckergehalt müssen sofort abgewischt werden, da sie das Kochfeld beschädigen. Salz, Zucker und Sand könnten die Glasoberfläche verschrappen. Ein weiches Tuch, Saugpapier oder spezifische Produkte zur Kochfeldreinigung verwenden (die Anleitungen des Herstellers beachten).

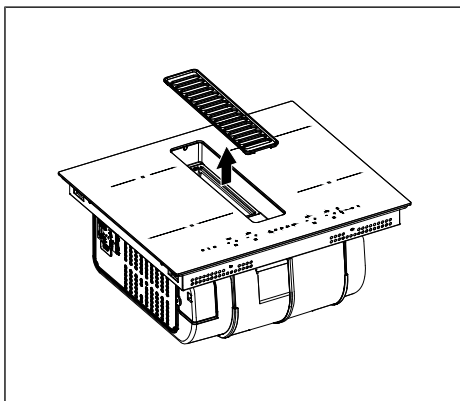
### Reinigung der Flüssigkeitsauffangwanne

Bei versehentlichem und ausgiebigem Austreten von Flüssigkeiten aus den Töpfen kann durch das Ablassventil im unteren Teil des Produkts eingegriffen werden, um Rückstände zu beseitigen und maximale Hygienesicherheit zu gewährleisten.



### Reinigung des Lüftungsgitters

Um Kratzer oder Schäden an der Oberfläche zu vermeiden, sollte der Grill mit warmem Wasser und neutralem Reinigungsmittel sowie nicht scheuernden Schwämmen von Hand gespült werden.



### Reinigung der Absaugung

Verwenden Sie zur Reinigung AUSSCHLIESSLICH ein mit neutralen, flüssigen Reinigungsmitteln angefeuchtetes Tuch.

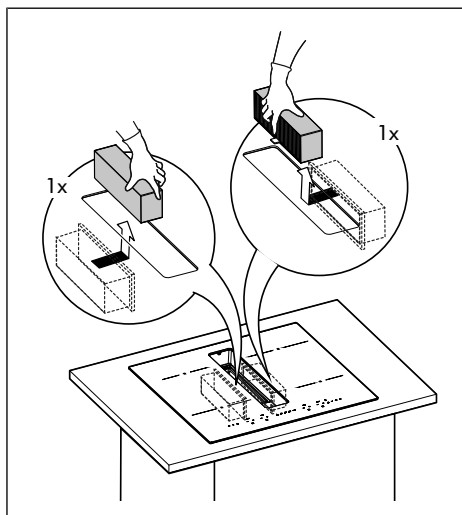
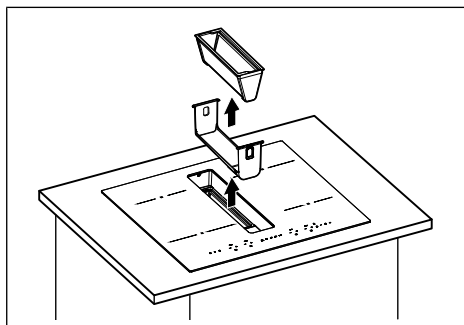
KEINE WERKZEUGE ODER SONSTIGE HILFSMITTEL ZUR REINIGUNG VERWENDEN!

Produkte mit Scheuermitteln müssen unbedingt vermieden werden. KEINEN ALKOHOL VERWENDEN!

### Wartung der Fettfilter:

#### Hält die beim Kochen entstehenden Fettpartikel ein.

Der Fettfilter muss einmal im Monat (oder wenn das Filtersättigungsanzeigesystem die Notwendigkeit meldet) mit milden Reinigern mit der Hand oder in der Spülmaschine bei niedrigen Temperaturen und kurzem Zyklus gereinigt werden. Beim Reinigen in der Spülmaschine kann sich der Metallfettfilter verfärben, wobei seine Filtereigenschaften in keiner Weise beeinträchtigt werden.



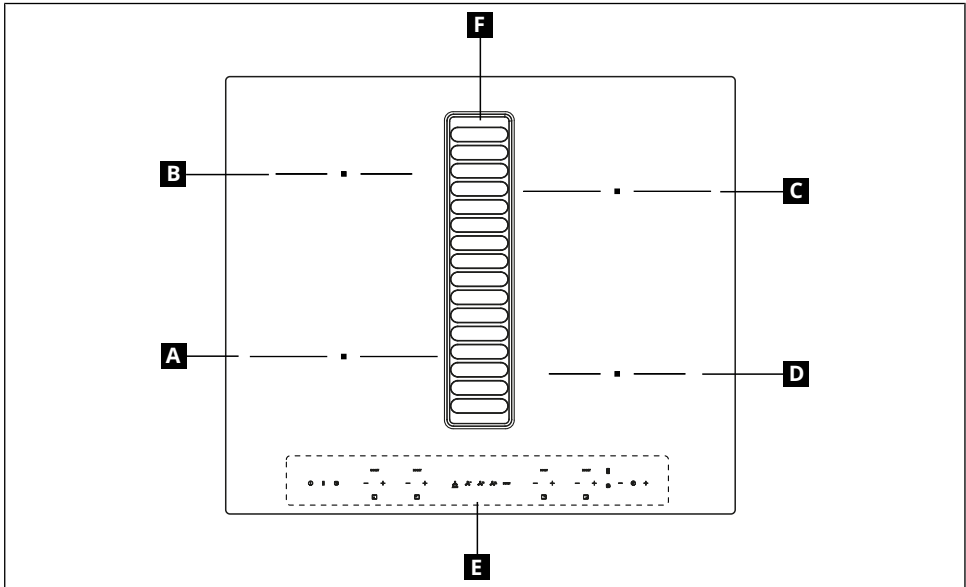
### Wartung der nicht regenerierbaren Aktivkohlefilter (nur für Filterversion):

Hält die unangenehmen Gerüche beim Garen fest. Das Produkt ist mit einem Satz Geruchsfilter ausgestattet.

Die Sättigung der Geruchsfilter tritt nach mehr oder weniger längerem Gebrauch auf und ist von der Art der Küche und der Regelmäßigkeit der Reinigung des Fettfilters abhängig.

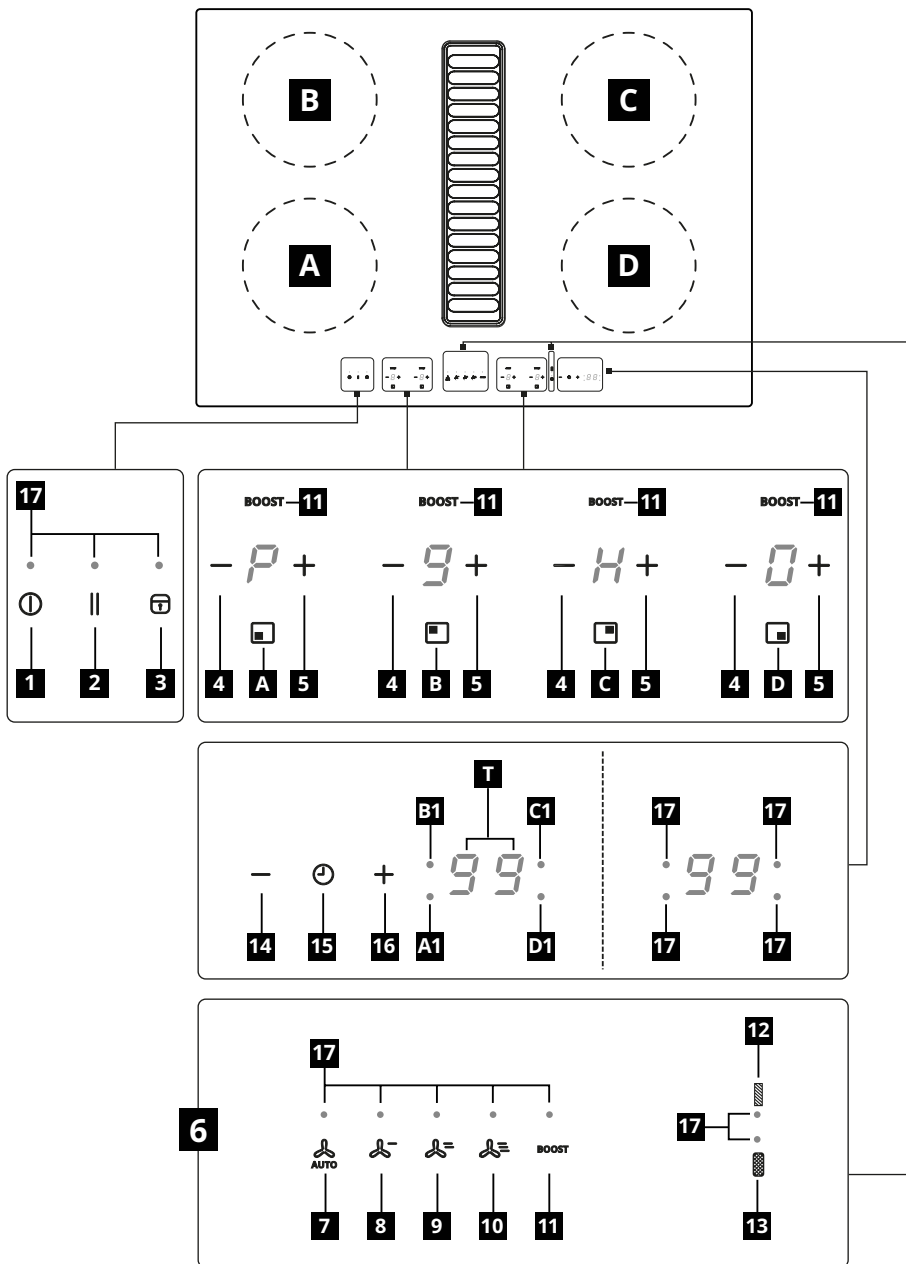
Wenn die Kontrollleuchte „Sättigung Aktivkohlefilter“ aufleuchtet, müssen die Filter ausgetauscht werden. Sie können NICHT gewaschen oder regeneriert werden.

Produktbeschreibung



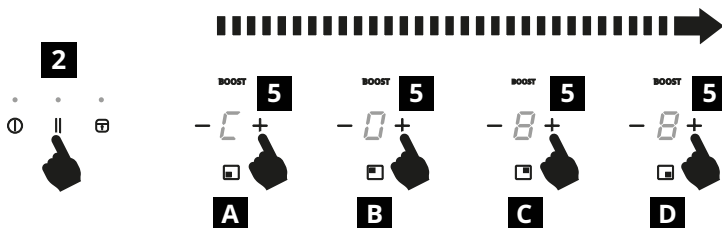
A	Kochzone (Durchmesser 220 mm) 2300 W mit Booster-Funktion mit 3000 W
B	Kochzone (Durchmesser 160 mm) 1200 W mit Booster-Funktion mit 1400 W
C	Kochzone (Durchmesser 220 mm) 2300 W mit Booster-Funktion mit 3000 W
D	Kochzone (Durchmesser 160 mm) 1200 W mit Booster-Funktion mit 1400 W
E	Bedienfeld
F	Abzieher

Bedienfeld



<b>Funktionen</b>	
<b>1</b>	Tastet EIN/AUS des Kochfelds / der Absaugung für Kochfeld
<b>2</b>	Funktionstaste Pause
<b>3</b>	Funktionstaste Sicherheitssperre „Cleaning Mode“ (Reinigungsmodus) – „Child Lock“ (Kindersperre)
<b>A – B – C – D</b>	Positionsanzeige der Kochzone
<b>4</b>	Taste – (senkt die Leistungsstufe des Kochfelds)
<b>5</b>	Taste + (erhöht die Leistungsstufe des Kochfelds)
<b>6</b>	Funktionstasten Absaugung
<b>7</b>	Funktionstaste Absaugautomat
<b>8</b>	Taste Ein/Aus Absaugung und erste Geschwindigkeit.
<b>9</b>	Taste Ein/Aus Absaugung und zweite Geschwindigkeit.
<b>10</b>	Taste Ein/Aus Absaugung und dritte Geschwindigkeit.
<b>11</b>	Booster-Taste (dauert 5 Minuten, kehrt dann zur Leistungsstufe 9 für das Kochfeld oder zur dritten Geschwindigkeit der Absaugung zurück)
<b>12</b>	Sättigungsanzeige Fettfilter (nach 40 Betriebsstunden)
<b>13</b>	Sättigungsanzeige Kohlefilter (nach 160 Betriebsstunden)
<b>14</b>	Taste – Timer
<b>15</b>	Taste ON/OFF Timer
<b>16</b>	Taste + Timer
<b>A1-B1-C1-D1</b>	Positionsanzeige der Kochzone A1-B1-C1-D1
<b>T (PE)</b>	Timer-Zeit kann von 1 bis 99 Minuten eingestellt werden
<b>17</b>	LEDs, die die ausgewählten aktiven Funktionen anzeigen

**Leistungsbegrenzung**



**- Leistungsbegrenzung (Power Limitation)**

Beim ersten Anschluss des Gerätes an die Heimnetzversorgung muss der Installateur die Leistung der Kochzonen entsprechend den tatsächlichen Kapazitäten der Hauselektrik einstellen (wenn das Gerät bereits an das Heimnetz angeschlossen ist, einfach trennen und wieder anschließen).

Wenn dies nicht erforderlich ist, können Sie das Kochfeld direkt mit der Taste **Ein/Aus (1)** einschalten oder alternativ das unten beschriebene Verfahren ausführen, um auf das Menü zuzugreifen.

Der Menüzugriff muss innerhalb eines begrenzten Zeitintervalls erfolgen.

Wenn Sie nach dem Anschluss des Geräts an das Haushaltsnetz nicht innerhalb der vorgesehenen Zeit auf das Menü zugreifen können, müssen Sie das Gerät trennen und wieder an das Haushaltsnetz anschließen.

Um das Produkt zu konfigurieren, gehen Sie wie folgt vor:

**1.** Schließen Sie das Kochfeld an das Haushaltsnetz an.

**2.** Halten Sie die Taste **Pause (2)** gedrückt, drücken Sie dann nacheinander von links nach rechts die Tasten **+** **(5)** der Kochindikatoren **A-B-C-D**, bei jedem Drücken der Taste **+** **(5)** ertönt ein kurzes akustisches Signal. Sobald Sie alle Tasten der Anzeigen gedrückt haben, können Sie die Taste **Pause (2)** **loslassen**.

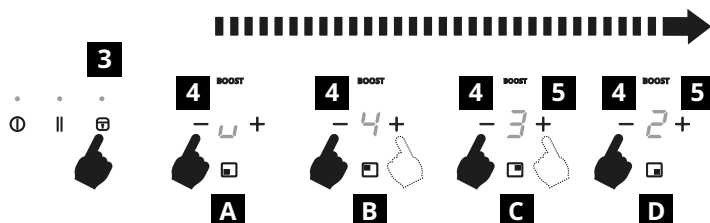
**3.** Auf dem Display der Kochzone **(A)** erscheint ein „**C**“ und auf dem Display der Kochzone **(B)** erscheint eine „**0**“. Drücken Sie die Taste **+** **(5)** der Kochzone **(B)**, bis auf dem Display der Kochzone **(B)** eine „**7**“ erscheint.

**4.** An dieser Stelle gelangen Sie in das Menü, um die Leistung entsprechend der Auslastung Ihres Heimnetzwerks einzustellen. Drücken Sie die Taste **+** **(5)** der Kochzone **(C)**, auf dem Display erscheint eine „**02**“, drücken Sie weiter, bis der gewünschte Wert erreicht ist. Um die Leistungswerte von „**0**“ auf „**6**“ einzustellen (siehe Tabelle unten), drücken Sie die Tasten **+** **(5)** oder **-** **(4)**.

**5.** Zum Bestätigen drücken Sie die Taste **Pause (2)** für 2 Sekunden.

Code	Maximale Leistung in Watt
0	7400 W
1	6000 W
2	5000 W
3	4000 W
4	3500 W
5	3000 W
6	2500 W

## Anpassung des Benutzermenüs



Um das Produkt zu konfigurieren, gehen Sie wie folgt vor:

1. Schließen Sie das Kochfeld an das Haushaltsnetz an.
2. Halten Sie die Taste **Sperre (3)** gedrückt, drücken Sie dann nacheinander von **links** nach **rechts** die Tasten **- (4)** der Kochindikatoren **A-B-C-D**, bei jedem Drücken der Taste **- (4)** ertönt ein kurzes akustisches Signal. Sobald Sie alle Tasten der Anzeigen gedrückt haben, können Sie die Taste **Sperre (3)** loslassen.

3. Auf dem Display der Kochzone **(A)** erscheint ein „**U**“ und auf dem Display der Kochzone **(B)** erscheint eine Zahl von „**0**“ bis „**4**“, die den Menücode angibt (siehe Tabelle unten).
4. Verwenden Sie zum Einstellen oder Ändern des Menücodes die Tasten **+** **(5)** oder **- (4)** der Kochzone **(B)**.
5. Um die Werte des Menüs einzustellen, verwenden Sie die Tasten **+** **(5)** oder **- (4)** der Kochzone **(C)**.
6. Zum Bestätigen drücken Sie die Taste **Sperre (3)** für 2 Sekunden.

Menücode	Beschreibung	Wert
U0	Einstellungsmenü Filter	0 – Off (Aus) 1 – Nur Aktivkohlefilter 2 – Nur Fettfilter 3 – Beide Filter aktiv (Standard)
U1	Menü zur Steuerung der Summerlautstärke.	0 – Off (Aus) 1 – Niedrig 2 – Mittel 3 – Hoch (Standard) Achtung! Manche Töne können nicht deaktiviert werden. Bei der Einstellung 0 werden sie daher leise wiedergegeben.
U2	Automatikbetrieb der Absaugung ein/aus	0 – Funktion aktiviert das Einschalten nicht. 1 – Einschaltfunktion (Standard)
U3	Kindersicherungsfunktion beim Einschalten	0 – Funktion zum Einschalten nicht aktiviert (Standard) 1 – Funktion zum Einschalten aktiviert.
U4	Menü Timer-Zeit	0 – 60 Sekunden 1 – 30 Sekunden (Standard) 2 – 10 Sekunden 3 – 0 Sekunden



## Täglicher Gebrauch

### Was vor dem Beginn zu wissen ist

Alle Funktionen dieses Kochfelds wurden unter Beachtung der strengsten Sicherheitsvorschriften geplant.


### Aus diesem Grund:

Einige Funktionen aktivieren sich nicht oder deaktivieren sich automatisch in Abwesenheit von Töpfen auf dem Herd oder wenn diese falsch positioniert sind.

In anderen Fällen deaktivieren sich die aktivierten Funktionen automatisch nach wenigen Sekunden, wenn die gewählte Funktion eine weitere Einstellung, die nicht eingegeben wurde, benötigt (z.B.: „Schalten Sie das Kochfeld ein“, ohne „Wählen Sie die Kochzone“ und die „Leistungsstufe“ oder die „Lock-Funktion“ oder die „Timer-Funktion“).


Solange die Anzeige sich nicht ausschaltet ist, darf man sich dem Kochbereich nicht nähern.





**Achtung!** Im Falle (zum Beispiel) von längerer Verwendung könnte das Abschalten des Kochbereichs nicht umgehend erfolgen, da er sich in Phase der Abkühlung befindet; auf dem Display der

Kochbereiche erscheint das Symbol , um anzuzeigen, dass er sich in dieser Phase befindet. Solange die Anzeige sich nicht ausschaltet ist, darf man sich dem Kochbereich nicht nähern.

### Display Kochbereich

Auf den Displays bezüglich der Kochbereiche wird Folgendes angezeigt:


Funktion	Wert
Eingeschalteter Kochbereich	
Leistungsstufe (Power Level)	<i>1..9-P</i>

Funktion	Wert
Restwärmanzeige (Residual Heat Indicator)	
Sicherheitsverriegelung (Cleaning Mode-Child Lock)	
Anzeige für fehlendes Kochgeschirr (No Pot Indicator)	
Funktion Pause	

### Sichere Aktivierung (Safe Activation).

Das Produkt aktiviert sich nur in Abwesenheit von Töpfen auf dem Kochfeld: Der Heizprozess startet nicht oder unterbricht sich im Falle der Abwesenheit oder Entfernung der Töpfe.

Wenn der Topf während des Betriebs entfernt wird oder wenn Sie einen ungeeigneten Topf verwenden, blinkt das Display neben dem Balkendiagramm mit

dem Symbol .

### Sicherheitsabschaltung (Safety Shut Down).

Aus Sicherheitsgründen besitzt jeder Kochbereich eine maximale Betriebsdauer, die vom eingestellten Leistungsniveau abhängt.

Kochstufe	Maximale Dauer (min)
1	516
2	402
3	318
4	258
5	210
6	138
7	138
8	108
9	90

### Automatische Abschaltung (Automatic Switch Off).

Die automatische Abschaltung erfolgt unter Bedingungen, in denen das Produkt eingeschaltet ist, aber keine aktive Funktion mehr vorhanden ist.

### Restwärmeanzeige (Residual Heat Indicator).

Die Restwärmeanzeige ist eine Sicherheitsfunktion, um anzuzeigen, dass die Oberfläche der Kochzone noch eine Temperatur von 45 °C oder mehr hat und daher Verbrennungen bei Kontakt mit bloßen Händen verursachen kann. Das Display der entsprechenden Kochzone zeigt



an.

### - Funktion des Kochfelds

Anmerkung: Zur Aktivierung jeglicher Funktion ist es vorher notwendig, den gewünschten Bereich zu aktivieren.

### - Leistungsstufe (Power Level)

Das Feld besitzt **9** Leistungsstufen.

Um die gewünschte Leistungsstufe einzustellen, wählen Sie die Tasten **+** (5) oder **-** (4).

### - Einschalten (1)

Drücken Sie die Taste **Ein-/Aus** (1), um das Kochfeld und die Absaugung einzuschalten. Auf allen Displays (**A-B-C-D**) werden etwa 20 Sekunden lang **fix 0** angezeigt. Wenn innerhalb dieser Zeit kein Vorgang ausgeführt wird, schaltet sich das Kochfeld aus.

- Wählen Sie die gewünschte Kochzone und stellen Sie die Leistungsstufe mit den Tasten **+** (5) und **-** (4) ein.

- Wenn die Leistungsstufe auf **0** eingestellt ist, wird durch Auswahl der Taste **-** (4) direkt auf **9** umgeschaltet.

- Wenn die Leistungsstufe auf **9** eingestellt ist, wird durch Auswahl der Taste **+** (5) direkt auf **0** umgeschaltet.

- Wenn Sie **+** (5) oder **-** (4) gedrückt halten, wird die Leistungsstufe schnell erhöht/verringert und stoppt, wenn **0** oder **9** erreicht wird.

Um die Kochzone auszuschalten, drücken Sie gleichzeitig 1 Sekunde lang die Tasten **+** (5) und **-** (4).

### - Power Booster (11)

Das Produkt ist mit einem **Booster**-System ausgestattet, mit dem die Kochzeiten beschleunigt werden können, indem in einem definierten Zeitraum eine höhere Leistung als die Nennleistung angewendet wird.

- Um ihn zu aktivieren, schalten Sie die betreffende Kochzone ein und drücken Sie die Taste **Booster** (11) auf dem Display. Der Buchstabe **P** wird angezeigt.

- Die **Booster**-Funktion ist 5 Minuten lang aktiv, danach wird das Garen auf Stufe **9** fortgesetzt.

- Durch Drücken auf **+** (5) oder **-** (4) oder „**Booster**“ wird die Funktion deaktiviert. Der **Booster** kann bei zu hoher Temperatur nicht aktiviert werden.

### - Sicherheitseinrichtungen (Sperrung (3))

Die Sperrtaste (3) verhindert einen unbeabsichtigten Betrieb des Kochfeldes und der Absaugung.

Es kann aktiviert werden, wenn die Oberfläche des Kochfelds während des Kochens gereinigt werden muss (**Cleaning Mode**) oder um den Zugriff von Kindern oder Personen, die eine Aufsicht benötigen, auf das Kochfeld/die Absaugung zu verhindern (**Child Lock**).

- Das Kochfeld kann eingeschaltet werden, aber es kann keine Kochzone ausgewählt werden.

- Die Sicherheitsverriegelung (3) bleibt auch dann im Speicher, wenn das Kochfeld ausgeschaltet wird oder die Stromversorgung unterbrochen wird, diese Funktion ist nur für die Sicherheit von Kindern aktiv (**Child Lock**).

- Wenn das Kochfeld eingeschaltet und die Sicherheitsverriegelung aktiviert ist, funktioniert die Taste **ON/OFF** ebenfalls.

### - Reinigungsmodus (3) (Cleaning Mode)

Sperrt die Einstellungen des Kochfelds und der Absaugung, um versehentliche Manipulationen zu verhindern und die **bereits eingestellten Funktionen aktiv zu lassen**.

- Um die Funktion zu aktivieren, drücken Sie die Sperrtaste **(3)**, die entsprechende LED der Taste leuchtet auf, gefolgt von einem akustischen Signal.

- Auf den Displays der Kochzonen wird 4 Sekunden lang „L“ angezeigt.

Wenn eine oder mehrere Zonen noch heiß sind, wechseln sich die entsprechenden Anzeigen mit dem Buchstaben „H“ und „L“ ab.

- Um die Funktion zu deaktivieren, drücken Sie 2 Sekunden lang die Taste **(3)**, ein akustisches Signal und die entsprechende LED erlischt.

### - Kindersicherung (3) (Child Lock)

**Blockiert alle inaktiven Funktionen** und verhindert einen unbeabsichtigten Betrieb des Kochfelds/der Absaugung durch das folgende Verfahren:

- Schalten Sie das Kochfeld ein (wenn es ausgeschaltet ist), indem Sie die Taste „**Ein/Aus**“ **(1)** auswählen.

- Die Sperrtaste **(3)** 4 Sekunden lang drücken, die entsprechende LED der Taste leuchtet auf, gefolgt von einem akustischen Signal.

- Auf den Displays der Kochzonen wird der Schriftzug „L“ angezeigt, der anzeigt, dass die Funktion aktiviert ist.

Wenn eine oder mehrere Zonen noch heiß sind, wechseln sich die entsprechenden Anzeigen mit dem Buchstaben „H“ und „L“ ab.

- Um die Funktion zu deaktivieren, drücken Sie 4 Sekunden lang die Taste **(3)**, das „L“ wird nicht mehr auf dem Display angezeigt, die LED der Taste erlischt, gefolgt von einem akustischen Signal.

### - Funktion Pause (2)

Mit dieser Funktion können Sie jede aktive Funktion auf dem Kochfeld **pausieren** und die in den Kochbereichen verfügbare Leistung auf Stufe 1 reduzieren.

Um sie zu aktivieren, drücken Sie die Taste **(2)**. Auf den Displays des Kochfelds wird das

Symbol ' ' angezeigt, das darauf hinweist, dass die Funktion aktiviert ist.

Bei eingestellter Pausenfunktion funktionieren die aktiven Timer weiter.

Wird die Pausenfunktion **(2)** nicht innerhalb von 10 Minuten ausgeschaltet, schaltet sich das Kochfeld automatisch aus.

Um die Funktion zu deaktivieren, drücken Sie erneut die Taste **Pause (2)**.

Sobald die Pause ausgeschaltet ist, schaltet sich die Kochzone wieder mit der zuvor gewählten Stufe ein.

Jeder Vorgang wird von einem Piepton „PIEP“ begleitet.

### - Timer (15)

Mit dieser Funktion können Sie die Zeit (von 1 bis 99 Minuten) für die automatische Abschaltung der ausgewählten Kochzone einstellen.

Der Timer kann in allen Kochzonen aktiviert werden.

- Durch Drücken der Timer-Taste (15) können Sie zwischen den Timern der 4 Kochzonen **A1-B1-C1-D1** im Uhrzeigersinn wechseln; die Kochzonen werden durch die entsprechende LED **(17)** angezeigt.

- Stellen Sie mit den Tasten **+** **(16)** und **-** **(14)** die Abschaltzeit der Kochzone ein und warten Sie 5 Sekunden ab oder drücken Sie zur Bestätigung der Timer-Taste **(15)**.

- Die verbleibenden Minuten werden auf dem Timer-Display angezeigt.

- Es ist möglich, mehrere Timer einzustellen, auch wenn nur derjenige angezeigt wird, der dem Ende am nächsten ist.

Um die verbleibende Zeit jeder Kochzone zu überprüfen, drücken Sie die Taste **(15)**.

- Wenn der Timer endet, ertönt ein Ton und die jeweilige Kochzone wird ausgeschaltet.

**- Funktionsweise der Absaugung (6)**

Um die Absaugung zu aktivieren, muss das Kochfeld eingeschaltet sein.

LED (17) eingeschaltet Funktion aktiv.

LED (17) ausgeschaltet Funktion nicht aktiv.

- Taste (7) Automatischer Modus Ein/Aus, die Lüfterdrehzahl erhöht oder verringert sich je nach Temperatur des Kochfelds und des Energieverbrauchs.

- Taste (8) Ein/Aus Absaugung und erste Geschwindigkeit.

- Taste (9) Ein/Aus Absaugung und zweite Geschwindigkeit.

- Taste (10) Ein/Aus Absaugung und dritte Geschwindigkeit.

- Taste (11) Booster (dauert 5 Minuten und kehrt dann zur zuvor eingestellten Geschwindigkeit zurück).

**Achtung!** Am Ende des Garvorgangs durch Drücken der Ein-/Aus-Taste läuft die Absaugung bei der ersten Geschwindigkeit weitere 5 Minuten weiter, die LED blinkt bis zum Ende der Zeit, danach schaltet sich die Absaugung ab.

**- Sättigungsanzeige Fettfilter (12)**

Wenn die LED aufleuchtet, muss der Fettfilter gewartet werden.

- Halten Sie zum Zurücksetzen die Tasten 7-8 3 Sekunden lang gedrückt. Die LEDs der Tasten 7-8 blinken und das akustische Signal bestätigt das Zurücksetzen (die LEDs 12 -7-8 schalten sich ab).

**- Sättigungsanzeige Kohlefilter (13)**

Wenn die LED aufleuchtet, muss der Kohlefilter gewartet werden.

- Halten Sie zum Zurücksetzen die Tasten 7-9 3 Sekunden lang gedrückt. Die LEDs der Tasten 7-9 blinken und das akustische Signal bestätigt das Zurücksetzen (die LEDs 13 -7-9 schalten sich ab).

## Funktion der Leistungsverwaltung

Dieses Produkt ist mit einer elektronisch gesteuerten Leistungsverwaltungsfunktion ausgestattet.

Diese Funktion steuert die maximale Leistungsabgabe zwischen den verwendeten Kochzonen, optimiert die Leistungsverteilung und vermeidet Überlastungssituationen des Systems.

**Kochfeld auf höchster Leistungsstufe**, die Funktion verteilt die Leistung auf die verwendeten Kochzonen und reduziert bei Bedarf automatisch die Leistung der anderen Kochzonen (der letzte Befehl erhält die höchste Priorität).

**Kochfeld mit Leistungsbegrenzung.** Die Funktion verteilt die Leistung zwischen den Kochzonen und verhindert, dass die Leistung der anderen Kochzonen über den Grenzwert hinaus eingestellt wird (um die Leistung einer bestimmten Kochzone zu

erhöhen, muss die für die anderen eingestellte Leistungsstufe manuell reduziert werden).

**Beispiel:**

Wird für die Kochzone **A** die Zusatzleistungsstufe BOOST gewählt, darf die Kochzone **B** gleichzeitig die Leistungsstufe 9 nicht überschreiten und wird automatisch eingeschränkt.

**Kochtabelle**

Leistungsstufe		Kochvorgang-Art	Verwendung (je nach Erfahrung und Kochgewohnheiten)
Max. Leistung	P	Schnell aufwärmen	Schnelles Erhöhen der Temperatur des Lebensmittels, bis es im Falle von Wasser schnell kocht, oder die Kochflüssigkeiten schnell erhitzt werden
	8 - 9	Braten - sieden	anschmoren, einen Kochvorgang beginnen, gefrorene Produkte braten, schnell kochen
Hohe Leistung	7 - 9	Bräunen - anbraten-sieden- grillen	anbraten, kochen lassen, kochen und grillen (für kurze Zeit, 5-10 Minuten)
	6 - 7	Bräunen - kochen - schmoren - anbraten - grillen	anbraten, köcheln lassen, kochen und grillen (durchschnittliche Zeit, 10-20 Minuten), Zubehör vorwärmen
Mittelleistung	4 - 5	Kochen - schmoren - anbraten - grillen	schmoren, leicht köcheln lassen, kochen (lange), Teig glatt umrühren
	3 - 4	Kochen - aufkochen - einkochen - verrühren	längeres Kochen (Reis, Saucen, Braten, Fisch) in Gegenwart von begleitenden Flüssigkeiten (z. B. Wasser, Wein, Brühe, Milch), Teig glatt rühren
	2 - 3	Kochen - aufkochen - einkochen - verrühren	längeres Kochen (Volumen weniger als ein Liter: Reis, Saucen, Braten, Fisch) in Gegenwart von begleitenden Flüssigkeiten (z. B. Wasser, Wein, Brühe, Milch)
Niedrige Leistung	1 - 2	Schmelzen - auftauen - warmhalten - verrühren	Butter schmelzen, Schokolade langsam schmelzen, kleine Produkte auftauen
	1	Schmelzen - auftauen - warmhalten - verrühren	kleine Portionen frisch gekochtes Essen warm halten oder Servierplatten temperieren und Risotto rühren
AUS	0	Ablagefläche	Kochfeld in Bereitschaftsstellung oder aus (Nach Ende des Kochens könnte es restliche Wärme geben, die mit H-L-O signalisiert wird)

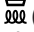
**Anweisungen zur Verwendung der Töpfe**

**Welche Töpfe zu verwenden sind**

Verwenden Sie ausschließlich Kochgeschirr mit einem Boden aus ferromagnetischem Material, geeignet für den Einsatz auf Induktionskochfeldern:

- Gusseisen
- Emaillierter Stahl
- Kohlenstoffstahl

- Edelstahl (auch nicht vollständig aus Edelstahl)
- Aluminium mit ferromagnetischer Beschichtung oder Boden mit ferromagnetischer Platte.

Um die Eignung eines Topfes festzustellen, überprüfen Sie, ob das Symbol  (in der Regel auf dem Boden gestempelt)

vorhanden ist. Sie können auch einen Magneten an den Boden des Topfes halten. Bleibt er haften, bedeutet dies, dass der Topf auf einem Induktionskochfeld verwendbar ist.

Um eine optimale Effizienz zu gewährleisten, verwenden Sie immer Töpfe und Pfannen mit flachem Boden, die die Wärme gleichmäßig verteilen. Ein nicht perfekt ebener Boden kann die Leistungs- und Wärmeleitung beeinflussen.

### So verwenden Sie Töpfe

Mindesttopfdurchmesser für die verschiedenen Kochzonen. Um eine einwandfreie Funktion des Kochfelds zu gewährleisten, muss der Topf einen oder mehrere der auf der Kochfeldoberfläche angegebenen Referenzpunkte abdecken und einen geeigneten Mindestdurchmesser aufweisen. Verwenden Sie immer die Kochzone, die dem Durchmesser des Topfbodens am besten entspricht.

Kochzone	Durchmesser des Topfbodens	
	Min. Ø (empfohlen)	Max. Ø (empfohlen)
Hinten links	110mm	160mm
Vorne links	120mm	220mm
Hinten rechts	120mm	220mm
Vorne rechts	110mm	160mm

### Leere Töpfe/Pfannen oder mit dünnem Boden

Verwenden Sie keine leeren Töpfe/Pfannen oder solche mit dünnem Boden auf dem Kochfeld, da Sie sonst die Temperatur nicht mehr regeln können oder die Kochzone bei zu hoher Temperatur nicht mehr automatisch abschalten kann, was zu Schäden am Topf oder an der Kochfeldoberfläche führen kann. Wenn dies geschieht, berühren Sie nichts und warten Sie, bis alle Komponenten abgekühlt sind. Wenn eine Fehlermeldung angezeigt wird, lesen Sie bitte den Abschnitt „Anleitung zur Fehlerbehebung“.

### Tipps/Anregungen

Geräusche während des Betriebs. Wenn eine Kochzone aktiviert wird, ist ein kurzes Summen zu hören. Dieses Phänomen ist typisch für Glaskeramik-Kochzonen und hat keinen Einfluss auf den Betrieb oder die Lebensdauer des Geräts. Der Geräuschpegel kann vom verwendeten Topf abhängen. Bei einer starken Störung kann es hilfreich sein, den Topf auszutauschen.

### Normale Geräusche des Induktionskochfelds

Die Induktionstechnologie basiert auf der Erzeugung elektromagnetischer Felder, um Wärme direkt am Boden der Töpfe zu erzeugen. Töpfe und Pfannen können je nach Herstellung zu Geräuschen oder Vibrationen führen. Diese Geräusche lassen sich wie folgt beschreiben:

#### Leichtes Summen (wie bei einem Transformator)

Dieses Geräusch tritt auf, wenn die Kochtemperatur hoch ist. Es hängt davon ab, wie viel Energie vom Kochfeld auf den Topf übertragen wird. Das Geräusch hört auf oder wird gedämpft, wenn der Wärmepegel gesenkt wird.

#### Leichtes Pfeifen

Dieses Geräusch tritt auf, wenn der Garbehälter leer ist. Das Geräusch hört auf, wenn Sie Flüssigkeiten oder Lebensmittel in den Behälter gießen.

#### Knistern

Dieses Geräusch tritt auf, wenn der Topf aus mehreren überlappenden Schichten besteht. Es wird durch Vibrationen von Oberflächen verursacht, die durch verschiedene Materialien gebildet werden, die miteinander in Kontakt kommen. Das Geräusch wird durch den Topf erzeugt und kann je nach Menge der Speisen oder

Flüssigkeiten und der Kochmethode (z. B. Kochen, langsames Kochen, Braten) variieren.

**Lautes Pfeifen**

Dieses Geräusch tritt auf, wenn der Topf aus verschiedenen Materialien besteht, die übereinander geschichtet sind, und wenn dieser auf dem Kochfeld mit maximaler Leistung und auch auf zwei Kochzonen verwendet wird. Das Geräusch hört auf oder wird gedämpft, wenn der Wärmepegel gesenkt wird.

**Diese Geräusche sind normal Lüftergeräusche**

Für den ordnungsgemäßen Betrieb des elektronischen Systems muss die Temperatur des Kochfeldes eingestellt

werden. Zu diesem Zweck ist das Kochfeld mit einem Kühlventilator ausgestattet, der aktiviert wird, um die Temperatur des elektronischen Systems zu senken und zu regulieren. Das Gebläse kann auch nach dem Ausschalten des Kochfeldes weiterarbeiten, wenn die gemessene Temperatur noch zu hoch ist.

**Rhythmische Geräusche, ähnlich denen der Zeiger einer Uhr.**

Dieses Geräusch tritt nur auf, wenn mindestens drei Kochzonen in Betrieb sind und verschwindet oder wird dämpft, wenn zwei ausgeschaltet werden. Diese Geräusche, die als normale Phänomene der Induktionstechnik beschrieben werden, gelten nicht als Mängel.

**Störungsbehebung**

Informationsnummer	Beschreibung	Mögliche Ursachen	Lösung
	Der Schaltbereich schaltet sich aufgrund der zu hohen Temperatur aus	Die innere Temperatur der elektronischen Teile ist zu hoch	Bevor das Kochfeld erneut verwendet wird, solange warten, bis es abgekühlt ist
	Behälter nicht tauglich	Verlust der magnetischen Eigenschaften	Den Topf wegnehmen
	Kommunikationsprobleme zwischen der Bedienoberfläche und dem Induktionsmodul	Es kommt nicht richtig Strom am Modul an; das Stromkabel wurde nicht korrekt angeschlossen oder ist defekt	Das Kochfeld vom Stromnetz nehmen und den Anschluss kontrollieren
<b>Für alle anderen Fehlermeldungen</b>	Den Kundendienst kontaktieren und den Fehlercode mitteilen		

Bevor Sie sich an das Kundendienstzentrum wenden, prüfen Sie, ob Sie das Problem anhand der unter "Störungssuche" beschriebenen Punkte selbst lösen können.

Wenn das Kochfeld trotz aller Überprüfungen nicht funktioniert und das Problem, das Sie festgestellt haben, weiterhin besteht, wenden Sie sich an das Kundendienstzentrum.

Es muss Folgendes angegeben werden:

- Das Modell des Geräts (Mod.)

• Die Seriennummer (S/N)  
 Diese Informationen befinden sich auf dem Typenschild auf dem Gerät und/oder auf der Verpackung.

**Achtung! Wenden Sie sich niemals an nicht autorisierte Techniker und lehnen Sie den Einbau von Nicht-Original-Ersatzteilen ab.**

**Technische Daten**

<b>Technische Daten des Kochfeldabziehers</b>			
		<b>Einheit</b>	<b>Wert</b>
Identifikationsmodell			<b>TACKNAN 10598635</b>
Produktart			EINBAU
Abmessungen	Breite	mm	600
	Tiefe	mm	515
	Höhe	mm	255
Max. Luftdurchsatz* - Absaugende Installation		m3/h	480
Max. Geräuschpegel* - Absaugende Installation			61
Max. Luftdurchsatz* - Filternde Installation**			380
Max. Geräuschpegel* - Filternde Installation**			68
Nennleistung Absaugung		W	160
Nennleistung Kochfeld		W	7240
Maximale Gesamtleistung		W	7400
Energieverbrauch	Aus-Modus	Wh	0,49
	Stand-by	Wh	N/A
Produktgewicht		Kg	15,4
<b>Energieeffizienz der Absaugung</b>			
<b>Produktinformation gemäß der Verordnung (EU) Nr. 65/2014 der Kommission</b>			
Lieferantename		<b>IKEA</b>	<b>IKEA</b>
Jährlicher Energieverbrauch - AEC		kWh/Jahr	34,5
Energie-Effizienzklasse			A
Fluiddynamische Effizienz FDE		%	29
Fluiddynamische Effizienzklasse			A
Effizienz der Fettfiltration - GFE		%	85,1
Effizienzklasse Fettfilterung			B
Mindestluftdurchsatz (Normalleistung)		m3/h	205
Maximaler Luftdurchsatz (Normalleistung)		m3/h	480
Einstellen des Luftvolumenstroms im Boost-Modus		m3/h	590



A-bewerteter Schalleistungspegel der Geräuschemissionen bei minimaler Geschwindigkeit	dBA	44
A-bewerteter Schalleistungspegel der Geräuschemissionen bei Höchstgeschwindigkeit	dBA	61
A-bewerteter Schalleistungspegel der Geräuschemissionen im Boost-Modus	dBA	66
Stromverbrauch im Off-P0-Modus	W	0,49
Stromverbrauch im Standby-Ps-Modus	W	N/A

**Produktinformation gemäß der Verordnung (EU) Nr. 66/2014 der Kommission**

Faktor des Anstiegs über die Zeit - f			1
Energie-Effizienz-Index - EEI			51,3
Luftdurchsatz gemessen am Punkt der maximalen Effizienz - QBEP		m3/h	290
Luftdruck gemessen am Punkt der maximalen Effizienz - PBEP		Pa	340
Maximaler Luftdurchsatz - Qmax		m3/h	480
Stromverbrauch bei maximalem Wirkungsgrad - WBEP		W	94,5

**Energieeffizienz des Kochfelds**

Produktinformation gemäß EU-Richtlinie Nr. 66/2014		Einheit	Wert
Identifikationsmodell			<b>TACKNAN 10598635</b>
Produktart			Induktion
Anzahl der Kochzonen			4
Kochtechnologie			Induktion
Durchmesser der kreisförmigen Kochzonen (Ø)	Vorne Links Hinten Links Vorne Rechts Hinten Rechts	mm	220 160 160 220
Energieverbrauch pro Kochzone (CE für elektrischen Kochen)	Vorne Links Hinten Links Vorne Rechts Hinten Rechts	Wh/kg	191,9 195,8 181,0 174,4
Gesamtenergieverbrauch		Wh/kg	185,8

EN 60350-2 - Elektrische Kochgeräte für den Hausgebrauch - Teil 2: Kochfelder - Verfahren zur Messung der Gebrauchseigenschaften

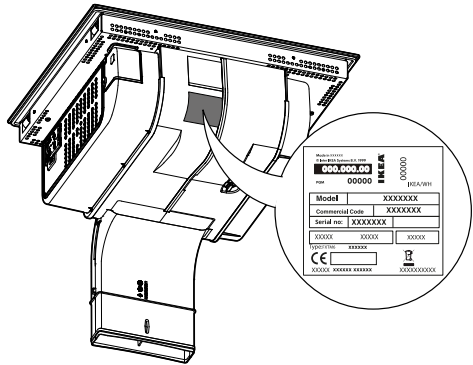
Produktinformationen zum Energieverbrauch und zur maximalen Zeit bis zum Erreichen des anwendbaren Modus mit niedriger Leistung	Einheit	Wert
---	---------	------

Leistungsaufnahme im ausgeschaltetem Zustand	W	0,5
Maximale Zeit, die das Gerät benötigt, um automatisch in den entsprechenden Energiesparmodus zu wechseln	Min.	3

\*Höchstgeschwindigkeit (Boost  
ausgeschlossen)

\*\* Filternde Installation - Wert des  
Luftstroms für filternde Installation  
komplett mit Filterbausatz NYTTIG  
806-231-27 für Kochfeld

Die technischen Daten und die  
Seriennummer finden Sie auf dem  
Typenschild auf der Innenseite des Gerätes.



## Hersteller

Ikea of Sweden AB-SE-343 81 Älmhult,  
Schweden

## IKEA GARANTIE

### Wie lange gilt die IKEA Garantie?

Diese Garantie gilt für 5 Jahre ab dem Datum des Kaufs/der Lieferung Ihres Geräts in einem IKEA Geschäft. Sie müssen den Originalbeleg als Kaufnachweis vorlegen. Während der Garantiezeit durchgeführte Wartungsarbeiten verlängern die Garantiezeit nicht.

### Wer bietet den Service an?

Der von IKEA ausgewählte und autorisierte Kundendienst wird den Service über ihr Netzwerk von autorisierten Kundendienstpartnern durchführen.

### Was deckt diese Garantie ab?

Die Garantie deckt Defekte am Gerät ab, die durch Herstellungsfehler (Funktionsfehler) verursacht wurden, und zwar ab dem Kaufdatum/Lieferdatum des Geräts. Diese Garantie gilt nur für den Hausgebrauch. Ausnahmen werden unter "Was ist nicht durch die Garantie abgedeckt?" beschrieben. Während der Garantiezeit werden die Reparaturkosten (Ersatzteile, Arbeit und Reisen des technischen Personals)

durch den Kundendienst übernommen, vorausgesetzt, dass der Zugang zum Gerät für Reparaturarbeiten keine besonderen Kosten verursacht. Diese Bedingungen stehen im Einklang mit den EU-Richtlinien (Nr. 99/44/EG) und den lokalen Vorschriften. Ersetzte Komponenten gehen in das Eigentum von IKEA über.

### Wie wird IKEA das Problem lösen?

Der von IKEA mit der Durchführung des Service beauftragte Kundendienst untersucht das Produkt und entscheidet nach eigenem Ermessen, ob das Produkt unter die Garantie fällt. Der Kundendienst von IKEA oder der autorisierte Kundendienstpartnern wird nach eigenem Ermessen entweder das defekte Produkt reparieren oder es durch ein gleichwertiges Produkt ersetzen.

### Was ist nicht durch die Garantie abgedeckt?

- Normale Abnutzung und Verschleiß

- Vorsätzlich herbeigeführte Schäden, Schäden durch Nichtbeachtung der Bedienungsanleitung, unsachgemäße Installation oder durch den Anschluss an eine falsche Spannung. Schäden durch chemische oder elektrochemische Reaktionen, Rost, Korrosion oder Wasserschäden, einschließlich Schäden durch übermäßige Kalkablagerungen in Wasserleitungen. Schäden, die durch Wetter- und Naturereignisse verursacht werden.
- Verbrauchsmaterial, einschließlich Batterien und Glühlampen.
- Schäden an nicht funktionalen und dekorativen Teilen, welche die normale Nutzung des Geräts nicht beeinträchtigen, einschließlich Kratzer und Farbsunterschiede.
- Unbeabsichtigte Schäden durch Fremdkörper oder Substanzen sowie Schäden, die durch die Reinigung oder Beseitigung von Verstopfungen in Filtern, Abflusssystemen oder Reinigungsmittelschubladen verursacht werden.
- Schäden an folgenden Komponenten: Glaskeramik, Zubehör, Besteck- und Geschirrkörbe, Zu- und Abflussrohre, Dichtungen, Glühlampen und Glühlampenabdeckungen, Gitter, Knöpfe, Verkleidungen und Teile der Verkleidung. Es sei denn, es kann nachgewiesen werden, dass der Schaden durch Herstellungsfehler verursacht wurde.
- Fälle, in denen bei einem Besuch durch einen Techniker keine funktionellen Mängel festgestellt werden.
- Reparaturen, die nicht von unserer autorisierten Kundendienst und/oder einem autorisierten Kundendienstpartnern durchgeführt wurden, oder wenn Nicht-Original-Ersatzteile verwendet wurden.
- Reparaturen, die durch unsachgemäße Installation oder Nichteinhaltung der Spezifikationen verursacht wurden.
- Fälle von unsachgemäßer und/oder nicht häuslicher Verwendung des Geräts, z. B. bei gewerblicher Nutzung.

- Transportschäden. Wenn der Kunde das Produkt zu sich nach Hause oder an eine andere Adresse transportiert, haftet IKEA nicht für Schäden, die während des Transports entstehen können. Wenn IKEA das Produkt hingegen an die Adresse des Kunden transportiert, werden alle Schäden, die während der Lieferung an dem Produkt entstehen, von IKEA übernommen.
- Wenn jedoch ein IKEA Dienstleister oder ein autorisierter Partner das Gerät im Rahmen dieser Garantie repariert oder ersetzt, wird der Dienstleister oder der autorisierte Partner das reparierte Gerät erneut installieren oder das Ersatzgerät installieren, falls erforderlich. Diese Einschränkungen gelten nicht für reguläre Arbeiten, die von qualifiziertem Fachpersonal mit Originalersatzteilen durchgeführt werden, um das Gerät an die technischen Sicherheitsvorschriften eines anderen EU-Landes anzupassen.

### Anwendung der nationalen Gesetze

Der Kunde hat Anspruch auf die Rechte, die in der Gesetzesverordnung Nr.206/2005 vorgesehen sind, und diese IKEA Garantie von 5 (fünf) Jahren gilt unbeschadet dieser Rechte, die den gesetzlichen Mindestrechten eines jeden Landes in Bezug auf die Garantie entsprechen oder diese erweitern. Diese Bedingungen schränken jedoch in keiner Weise die Rechte des Verbrauchers ein, die in den lokalen Gesetzen festgelegt sind.

### Gültigkeitsbereich

Für Geräte, die in einem EU-Land gekauft und in ein anderes EU-Land mitgenommen werden, werden die Leistungen gemäß den im neuen Land geltenden Garantiebedingungen erbracht. Die Verpflichtung zur Erbringung von Serviceleistungen gemäß den Garantiebedingungen besteht nur, wenn das Gerät den folgenden Bestimmungen entspricht und entsprechend installiert wurde:

- die technischen Spezifikationen des Landes, in dem die Anwendung der Garantie beantragt wird;

- die in der Installationsanleitung und im Benutzerhandbuch enthaltenen Sicherheitshinweise.

### KUNDENDIENST für IKEA Geräte

Zögern Sie nicht, sich an das von IKEA beauftragte autorisierte Servicezentrum zu wenden:

- während der Garantiezeit technische Unterstützung anfordern
- Informationen über den Betrieb von IKEA Geräten anfordern.

Um den besten Service zu gewährleisten, lesen Sie bitte die Montageanleitung und/oder die Bedienungsanleitung des Produkts sorgfältig durch, bevor Sie sich an uns wenden.

### Wie Sie uns kontaktieren können, wenn Sie Hilfe benötigen



Bitte wenden Sie sich an die IKEA Kundendienstnummer auf der letzten Seite dieses Handbuchs.

**i Um Ihnen einen schnelleren Service bieten zu können, empfehlen wir Ihnen, die in diesem Handbuch angegebenen Telefonnummern zu verwenden. Beziehen Sie sich immer auf die Nummern, die im Handbuch des Geräts angegeben sind, für das Sie Hilfe benötigen. Wir empfehlen Ihnen, immer den (8-stelligen) IKEA Code und den 12-stelligen Code auf dem Etikett Ihres Produkts bereitzuhalten.**

### **i BEWAHREN SIE DAS KAUF-/LIEFERDOKUMENT AUF!**

Es ist der Nachweis für Ihren Kauf und muss vorgelegt werden, damit die Garantie gültig ist. Der Name und die IKEA Artikelnummer (8-stellig) für jedes gekaufte Gerät sind ebenfalls auf dem Kassenbon angegeben.

### **Benötigen Sie weitere Hilfe?**

Für alle nicht servicebezogenen Informationen wenden Sie sich bitte an den Kundenservice des betreffenden IKEA

Einrichtungshauses. Bitte lesen Sie die technische Dokumentation des Geräts sorgfältig durch, bevor Sie sich an uns wenden.

## Index

Informations de sécurité	62	Personnalisation du menu utilisateur	77
Installation	65	Utilisation quotidienne	78
Branchement électrique	66	Fonction de gestion de la puissance	81
Conseils pour la protection de l'environnement	70	Plaque de cuisson	82
Conseils d'utilisation	70	Instructions pour l'utilisation des cas-seroles	82
Utilisation	70	Dépannage	84
Nettoyage et entretien	71	Données Techniques	85
Description du produit	73	Fabricant	87
Panneau de commande	74	GARANTIE IKEA	88
Limitation de puissance	76		

## Informations de sécurité

### Avant la première utilisation

#### Suivre de près les instructions reportées dans ce manuel.

Nous déclinons toute responsabilité pour tout problème, dommage ou incendie causé à l'appareil suite au non-respect des instructions reportées dans ce manuel. L'appareil est destiné exclusivement à un usage domestique pour la cuisson des aliments et l'extraction des fumées produites par la cuisson.

Aucune autre utilisation n'est autorisée (par ex. chauffage de pièces). Le fabricant décline toute responsabilité en cas d'utilisation inappropriée ou de réglage erroné des commandes.

Toujours garder ces instructions avec l'appareil, même en cas de cession ou de transfert à des tiers. Il est important que les utilisateurs connaissent toutes les caractéristiques de fonctionnement et de sécurité de l'appareil.

Lire attentivement les instructions : elles contiennent des informations essentielles sur l'installation, l'utilisation et la sécurité. Ne pas effectuer de variations électriques sur l'appareil.

Avant de procéder à l'installation de l'appareil, vérifier qu'aucun composant n'est endommagé. Sinon, contacter le revendeur et ne pas continuer l'installation.

Vérifier l'intégrité de l'appareil avant de procéder à l'installation. Sinon, contacter le revendeur et ne pas continuer l'installation.

-  C'est le symbole de danger, relatif à la sécurité, qui avertit des risques potentiels pour l'utilisateur et pour les autres. Tous les messages relatifs à la sécurité seront précédés du symbole de danger et des termes suivants :
-  **DANGER** : indique une situation dangereuse qui provoque de graves blessures si elle n'est pas évitée.
-  **AVERTISSEMENT** : indique une situation dangereuse qui pourrait provoquer de graves blessures si elle n'est pas évitée.
-  **AVERTISSEMENT** : le défaut d'installation des vis ou des éléments de fixation comme le prévoient ces instructions peut causer des dangers électriques.
-  **AVERTISSEMENT** : Suivre attentivement les instructions ci-dessous :
- Le produit doit être débranché du secteur électrique avant de réaliser une quelconque opération d'installation.
- Utiliser des gants de travail pour toutes les opérations d'installation et d'entretien.

- L'installation ou l'entretien doit être effectué par un technicien spécialisé, conformément aux instructions du fabricant et dans le respect des normes locales en vigueur en matière de sécurité.
- Utiliser uniquement les vis de fixation fournies avec le produit pour l'installation ou, en leur absence, acheter le type de vis adéquat.
- Utiliser la longueur correcte pour les vis qui sont identifiées dans le guide d'installation.
- Ne pas réparer ou remplacer les pièces du produit si ce n'est pas spécifiquement demandé dans le manuel d'utilisation.
- Les enfants doivent être surveillés pour s'assurer qu'ils ne jouent pas avec l'appareil.
- Garder les enfants à une distance de sécurité et s'assurer qu'ils sont constamment surveillés, car les parties accessibles peuvent devenir très chaudes pendant l'utilisation.
- Le produit peut être utilisé par des enfants âgés d'au moins 8 ans et par des personnes ayant des capacités physiques, sensorielles ou mentales réduites ou sans expérience ou sans les connaissances nécessaires, à condition qu'ils soient surveillés ou après que ces personnes aient reçu des instructions relatives à l'usage sûr du produit et à la compréhension des dangers que cela implique.
- **⚠ AVERTISSEMENT** : Le produit et ses parties accessibles deviennent chauds lors de l'utilisation. Veiller à ne pas toucher les éléments chauffants.
- Pendant et après l'utilisation, ne pas toucher les éléments chauffants du produit.
- Éviter le contact avec des chiffons ou tout autre matériau inflammable jusqu'à ce que tous les composants du produit aient suffisamment refroidi, risque d'incendie.
- Risque d'incendie : ne pas conserver d'objets sur les surfaces de cuisson.
- Les graisses et les huiles surchauffées prennent facilement feu.
- **⚠ AVERTISSEMENT** : La cuisson sans surveillance sur une plaque de cuisson avec de la graisse ou de l'huile peut être dangereuse et provoquer un incendie.
- La friture doit être surveillée afin d'éviter que l'huile ne prenne feu.
- **⚠ AVERTISSEMENT** : Le processus de cuisson doit être supervisé. Une cuisson de courte durée doit être surveillée en permanence.
- Ne JAMAIS essayer d'éteindre les flammes avec de l'eau. Au contraire, éteindre le produit et étouffer les flammes, par exemple avec un couvercle ou une couverture anti-feu.
- Éviter les débordements de liquide ; pour faire bouillir ou chauffer des liquides, réduire l'apport de chaleur.
- Ne pas laisser les éléments chauffants allumés avec des casseroles et des poêles vides ou sans récipients.
- Ne jamais chauffer une boîte de conserve contenant des aliments sans l'avoir ouvert au préalable : il pourrait exploser ! Cette mise en garde vaut pour tous les autres types de plaques de cuisson.
- Une fois la cuisson terminée, éteindre la zone de cuisson correspondante.
- Le produit n'est pas destiné à être mis en marche au moyen d'un programmeur externe ou d'un système de commande à distance séparé.
- Ne pas utiliser de nettoyeur vapeur, risque d'électrocution.
- Avant toute opération de nettoyage ou d'entretien, débrancher le produit du secteur électrique en enlevant la fiche ou par l'interrupteur général de la maison.
- Le nettoyage et l'entretien ne doivent pas être effectués par des enfants sans surveillance.
- Le produit doit être nettoyé fréquemment à l'intérieur et à l'extérieur (AU MOINS UNE FOIS PAR MOIS) ; toujours respecter ce qui est expressément indiqué dans les instructions d'entretien.

- Pour les porteurs de stimulateurs cardiaques et d'implants actifs, il est important de vérifier, avant d'utiliser la plaque à induction, que le stimulateur est compatible avec le produit.
- **⚠ AVERTISSEMENT** : Si la surface est fissurée, éteindre l'appareil pour éviter le risque de décharges électriques. Si l'appareil est directement branché au courant par une boîte de dérivation, retirer le fusible pour le débrancher de l'alimentation. Dans tous les cas, contacter le Centre d'Assistance Agréé.
- Risque d'incendie : ne pas placer d'objets sur les surfaces de cuisson.
- Ne pas placer d'objets métalliques comme des couteaux, des fourchettes, des cuillères et des couvercles sur la surface de la plaque de cuisson car ils pourraient surchauffer.
- Important : Après utilisation, éteindre la plaque de cuisson par l'intermédiaire de son dispositif de commande et ne pas se uniquement au détecteur de casseroles.
- Pour la cuisson, ne jamais utiliser de papier aluminium et ne jamais poser directement des produits emballés avec de l'aluminium. L'aluminium fondrait et endommagerait de manière irrémédiable le produit.
- L'utilisation d'une puissance élevée comme avec la fonction Booster ne convient pas au chauffage de certains liquides tels que l'huile de friture. Une chaleur excessive pourrait être dangereuse. Dans ces cas, il est recommandé d'utiliser une puissance inférieure.
- Les récipients doivent être placés directement sur la plaque de cuisson et doivent être centrés. N'insérer en aucun cas d'autres objets entre la casserole et la plaque de cuisson.
- En cas de températures élevées, le produit réduit automatiquement le niveau de puissance des zones de cuisson.
- **⚠ AVERTISSEMENT** ! Quand la plaque de cuisson est en marche les pièces accessibles de l'appareil peuvent chauffer.
- Le non-respect des consignes de nettoyage du produit et du remplacement et du nettoyage des filtres comporte des risques d'incendie.
- La cuisson flambée est strictement interdite.
- L'utilisation d'une flamme nue peut endommager les filtres et provoquer des incendies et doit donc être évitée.
- Le local doit disposer d'une ventilation suffisante, lorsque le produit est utilisé en même temps que d'autres appareils à combustion de gaz ou autres combustibles.
- En ce qui concerne les mesures techniques et de sécurité à adopter pour l'évacuation des fumées, respecter étroitement les règlements des autorités locales compétentes.
- L'air aspiré ne doit pas être convoyé vers le conduit destiné à l'évacuation des fumées des appareils à combustion à gaz ou autres combustibles.
- Ne jamais utiliser le produit sans la grille correctement montée !



## Installation

**Le circuit électrique et l'installation doivent être réalisés par un électricien qualifié.**

### Avant de commencer l'installation :

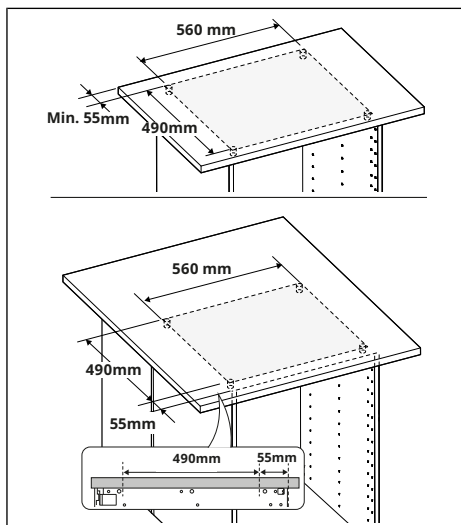
Après avoir déballé le produit, vérifier qu'il n'a pas été endommagé pendant le transport et en cas de problème, contacter le Service Client avant de procéder à l'installation ; vérifier que le produit acheté a une taille adaptée à la zone d'installation choisie ; vérifier qu'il n'y a pas de matériel d'accompagnement à l'intérieur de l'emballage (pour des raisons de transport) (par exemple, des enveloppes avec des vis, des garantants, etc.). Les retirer et les conserver en lieu sûr.

L'appareil est destiné à être encastré dans le plan de travail de la cuisine sur un meuble d'une largeur égale ou supérieure à 600 mm.

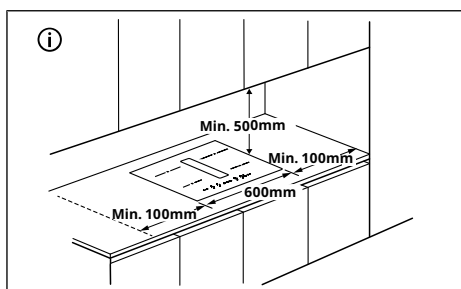
### Préparation du meuble pour l'encastrement :

le produit ne peut pas être installé sur des dispositifs de refroidissement, des lave-vaisselles, des poêles, des fours, des machines à laver et des sèche-linges ; effectuer toutes les interventions de coupe du meuble avant d'insérer la plaque de cuisson et enlever soigneusement les copeaux ou résidus de sciure.

- La distance minimale entre la plaque de cuisson et le mur doit être d'au moins 55mm, d'au moins 100mm latéralement et d'au moins 500mm par rapport aux meubles suspendus au-dessus.



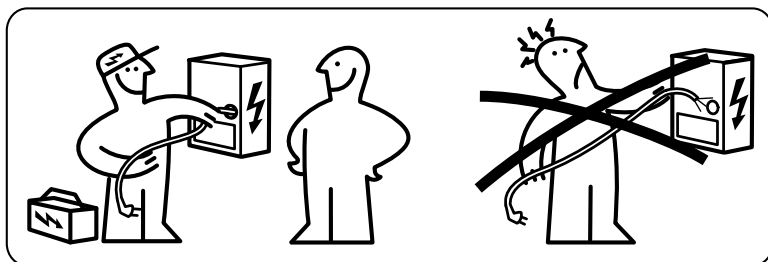
- NB : les indications à suivre pour la conception des espaces sont celles du fabricant de la cuisine.



- Pour terminer l'installation du système de filtration, se référer au kit de canalisation NYTTIG.

**⚠ AVERTISSEMENT :** La non-installation de vis et fixations conformément à ces instructions peut comporter des risques électriques.

## Branchement électrique



- **⚠ AVERTISSEMENT** : Tous les branchements électriques doivent être effectués par un installateur autorisé. Contrôler que la tension indiquée sur la plaque du produit soit la même que le secteur électrique.
- **⚠ AVERTISSEMENT** : Ne pas souder les câbles !
- **⚠ AVERTISSEMENT** : Débrancher le produit du secteur électrique pendant l'installation.
- Le fabricant décline toute responsabilité envers les personnes, les animaux ou le matériel en cas de non-respect des indications fournies dans ce chapitre.
- La mise à la terre du produit est rendue obligatoire par la loi.
- Le cordon d'alimentation doit être suffisamment long pour permettre la connexion du produit, encastré dans le meuble, au secteur électrique.
- Le cordon d'alimentation doit être suffisamment long pour permettre de retirer la plaque de cuisson du plan de travail.
- Ne pas utiliser de prises multiples ou de rallonges.
- S'assurer que la tension indiquée sur la plaque signalétique située au fond du produit correspond à celle de la maison dans laquelle il sera installé.
- Le câble électrique de terre doit être 2 cm plus long que les autres câbles.
- Le câble ne doit à aucun moment atteindre une température de 50°C supérieure à la température ambiante.
- Le produit est destiné à être connecté en permanence au secteur électrique ; pour cette raison, effectuer la connexion à un réseau fixe à travers un interrupteur omnipolaire conformément aux règles d'installation, qui assure la déconnexion complète du réseau dans les conditions de la catégorie de surtension III, et qui soit facilement accessible après l'installation.
- Une fois l'installation terminée, les composants électriques ne devront plus être accessibles à l'utilisateur.
- **⚠ AVERTISSEMENT** : Ne pas brancher le produit au secteur électrique tant que l'installation n'est pas totalement terminée.
- Avant de brancher le produit au secteur électrique : contrôler la plaque des données (présente sur la partie inférieure du produit) pour vérifier que la tension et la puissance correspondent à celle du secteur et que la prise est adéquate. En cas de doute, appeler un électricien qualifié.
- Cet appareil nécessite un câble d'alimentation de type H05V2V2-F. Le câble nécessite des gaines obligatoires. Selon les normes CEI, utiliser, pour le raccordement monophasé : câble réseau 3 x 4 mm<sup>2</sup> et pour le raccordement multiphasé : câble réseau 4 ou 5 x 2,5 mm<sup>2</sup>. Diamètre extérieur du câble : min 8 mm - max 12 mm. Prière de respecter les réglementations nationales spécifiques.
- L'appareil n'est pas doté d'un câble réseau. Acheter le bon auprès d'un revendeur spécialisé.

- Brancher l'appareil de la façon illustrée dans le schéma (conformément aux normes de référence pour la tension secteur en vigueur au niveau national).
- Respecter le schéma de raccordement (situé sur la face inférieure du produit).
- Si le cordon d'alimentation est endommagé, il doit être remplacé par un personnel qualifié pour éviter tout danger.
- **⚠** En cas de dommages, contacter un électricien qualifié.
- **⚠ AVERTISSEMENT** : Avant de rebrancher le circuit au secteur électrique et d'en vérifier le fonctionnement correct, toujours contrôler que le câble ait été correctement monté.

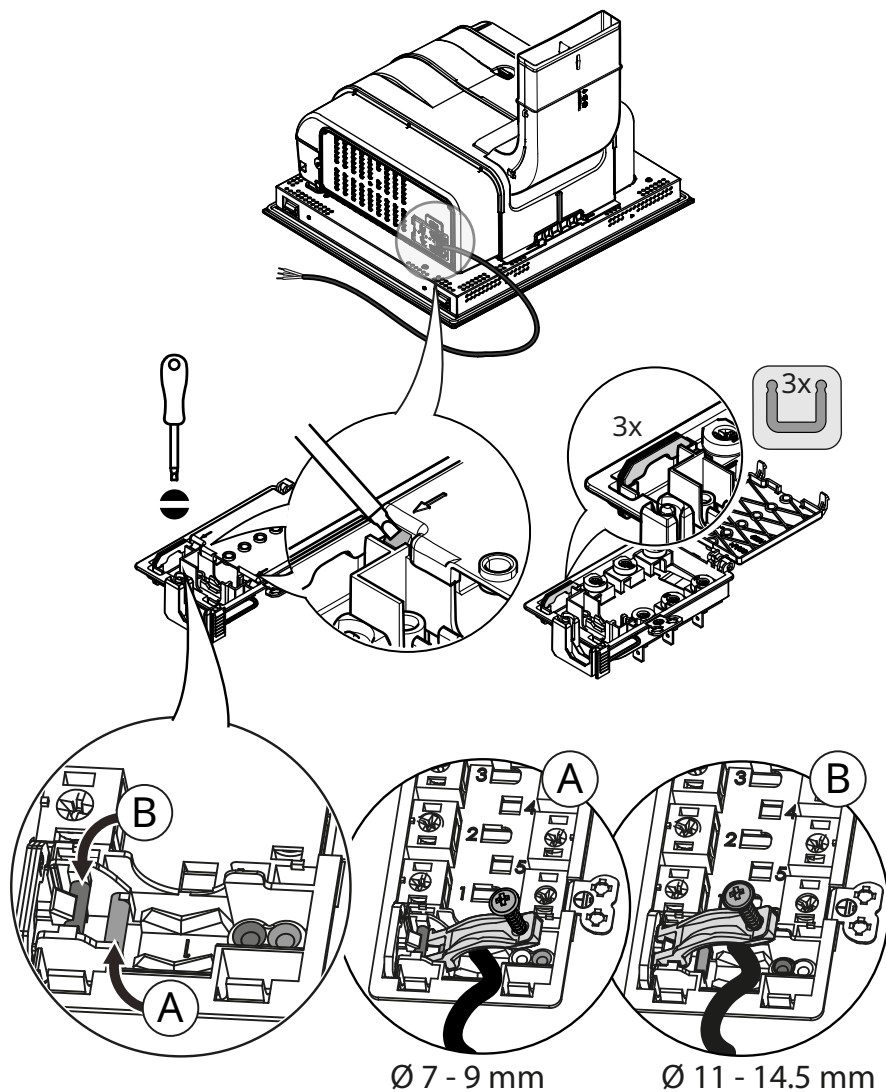


Schéma de Branchement du Câble

Insérer les shunts U entre les vis comme illustré :

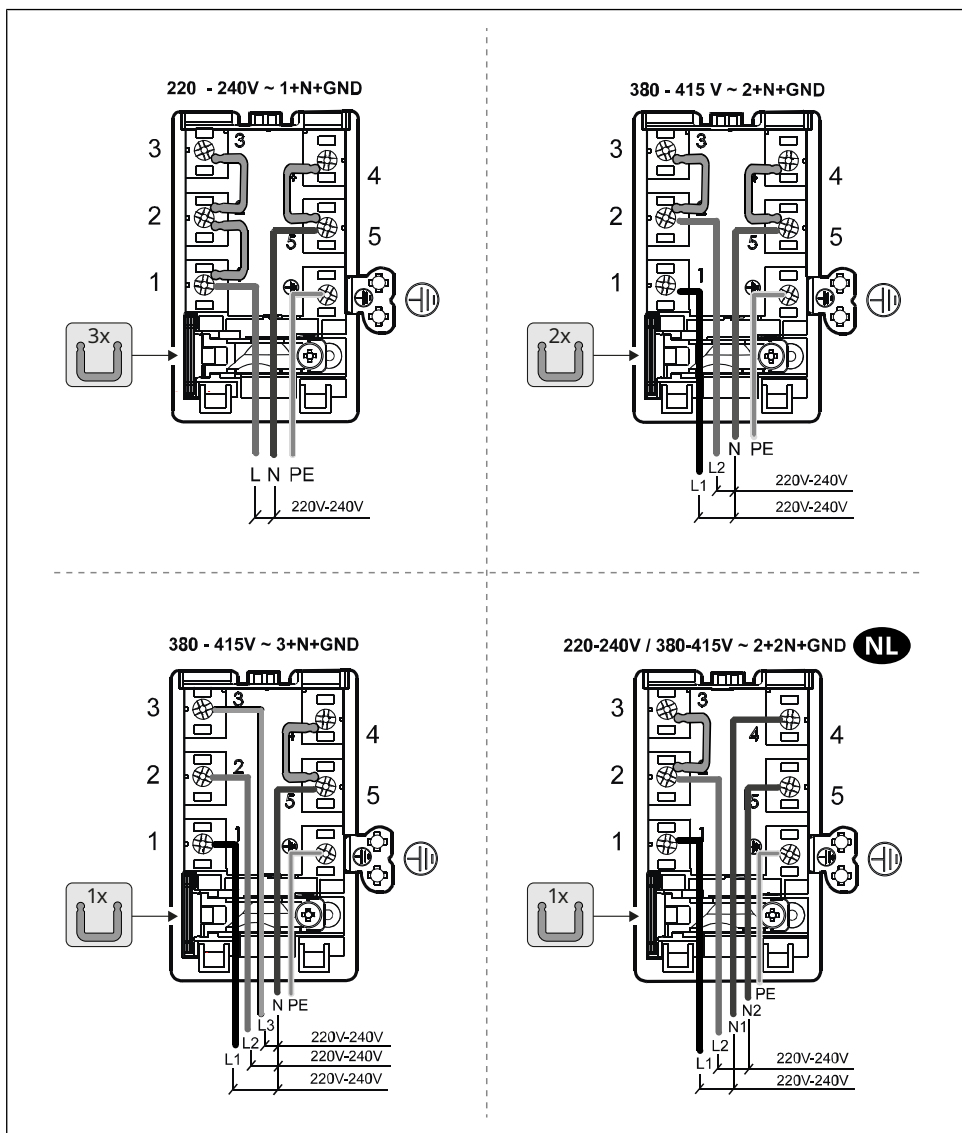
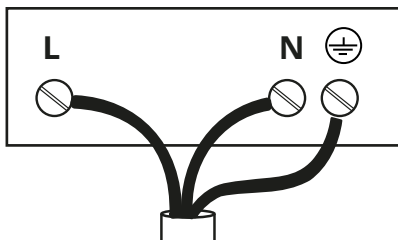
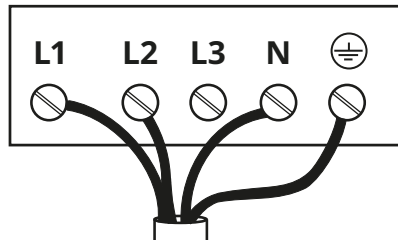


Schéma de branchement côté maison

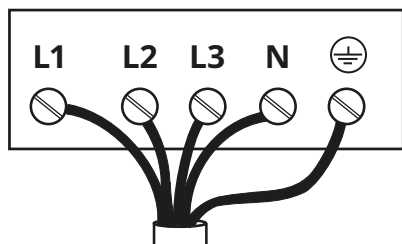
**1** 220V - 240V 1N ~



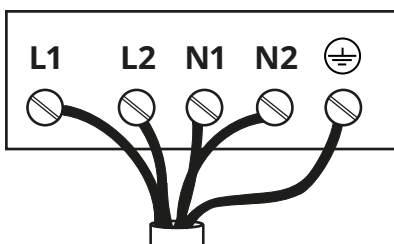
**2** 380V - 415V 2N ~



**3** 380V - 415V 3N ~



**4** 230V/400V 2N ~ **NL**



1	L	Marron
	N	Bleu
	⊕	Jaune/Vert


<b>NL</b> 4	L1	Noir
	L2	Marron
	N1	Bleu
	N2	Bleu
	⊕	Jaune/Vert

2	L1	Noir
	L2	Marron
	N	Bleu
	⊕	Jaune/Vert

3	L1	Noir
	L2	Marron
	L3	Gris
	N	Bleu
	⊕	Jaune/Vert


## Conseils pour la protection de l'environnement

### Le matériel d'emballage

L'emballage est 100% recyclable et marqué du symbole de recyclage 

Les différentes parties de l'emballage ne doivent par conséquent pas être jetées dans la nature, mais éliminées conformément aux normes établies par les autorités locales.



Le symbole  présent sur le produit ou sur la documentation qui l'accompagne indique que ce produit ne doit pas être traité comme déchet ménager mais apporté à un point de collecte pour le recyclage d'équipements électriques et électroniques.

### Économie d'énergie

- Utiliser des poêles et casseroles du même diamètre que celui de la zone de cuisson ;
- Utiliser uniquement des poêles et des casseroles à fond plat ;
- Si possible, laisser le couvercle sur les casseroles pendant la cuisson ;
- Cuire les légumes, les pommes de terre, etc. avec une petite quantité d'eau pour réduire le temps de cuisson ;
- Utiliser une cocotte-minute réduit davantage la consommation d'énergie et le temps de cuisson ;
- Placer la casserole au centre de la zone de cuisson dessinée sur la plaque.

## Conseils d'utilisation

Conseils pour une utilisation correcte et destinée à réduire l'impact environnemental : Pour commencer à cuisiner, allumer l'appareil à la vitesse minimale et la laisser allumer quelques minutes, même après la fin de la cuisson. Augmenter la vitesse seulement en cas de grosses quantités de fumée et de vapeur en utilisant la fonction booster uniquement

pour les cas extrêmes. Pour préserver l'efficacité du système de réduction des odeurs, remplacer le(s) filtre(s) à charbon. Nettoyer le filtre à graisse régulièrement pour en préserver l'efficacité. Pour optimiser l'efficacité et minimiser les bruits, utiliser le diamètre maximal du système de canalisation indiqué dans ce manuel.

## Utilisation

Le système de cuisson à induction est basé sur le phénomène physique de l'induction magnétique. La principale caractéristique de ce système est le transfert direct de l'énergie du générateur à la casserole.

**Avantages :** Si l'on compare avec les plaques de cuisson électriques, votre plaque à induction est : **Plus sûre :**

température inférieure à la surface du verre. **Plus rapide :** temps de chauffe des aliments réduit. **Plus précise :** la plaque réagit instantanément à vos commandes. **Plus efficace :** 90 % de l'énergie absorbée est transformée en chaleur. En outre, une fois la casserole enlevée, la transmission de chaleur est immédiatement interrompue, et évite ainsi une perte de chaleur inutile.

## Nettoyage et entretien

**⚠ AVERTISSEMENT :** Avant toute opération de nettoyage ou d'entretien, s'assurer que les zones de cuisson sont éteintes et le voyant de chaleur a disparu.

### Nettoyage de la plaque à induction

La plaque de cuisson doit être nettoyée après chaque utilisation.

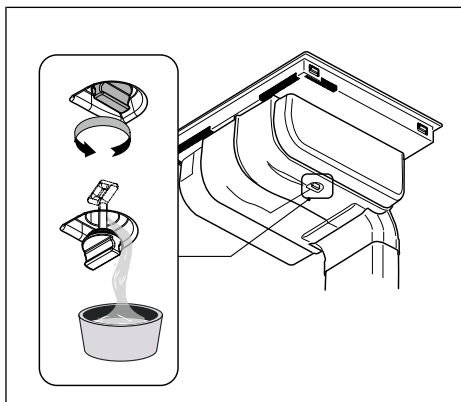
#### Important :

- Ne pas utiliser d'éponges abrasives, de tampons à récurer. Leur utilisation, avec le temps, pourrait abîmer le verre.
- Ne pas utiliser des produits chimiques irritants, tels que les sprays pour fours ou détachants.
- **NE JAMAIS UTILISER DE NETTOYEURS A VAPEUR !!!**

Après chaque utilisation, laisser refroidir la plaque et la nettoyer pour enlever les dépôts et les taches causées par des résidus alimentaires. Le sucre ou les aliments à haute teneur en sucre endommagent la plaque de cuisson et doivent être immédiatement éliminés. Le sel, le sucre et le sable peuvent rayer la surface du verre. Utiliser un chiffon doux, des serviettes en papier ou des produits spécifiques pour le nettoyage de la plaque (suivre les instructions du fabricant).

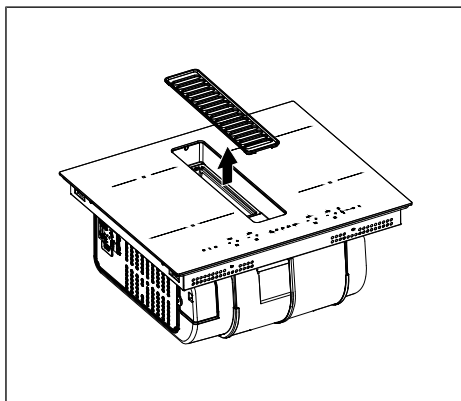
### Nettoyage du bac de récupération des liquides

En cas de gros débordements accidentels de liquides des casseroles, il est possible d'intervenir à travers le robinet d'évacuation placé dans la partie inférieure du produit, afin d'éliminer tout résidu et assurer ainsi le maximum d'hygiène.



### Nettoyage de la grille de ventilation

La grille doit être lavée à la main avec de l'eau chaude et un détergent neutre et des éponges non abrasives pour éviter les rayures ou les dommages sur la finition esthétique.



### Nettoyage de l'extracteur

Pour le nettoyage, utiliser **EXCLUSIVEMENT** un chiffon humide avec des détergents liquides neutres.

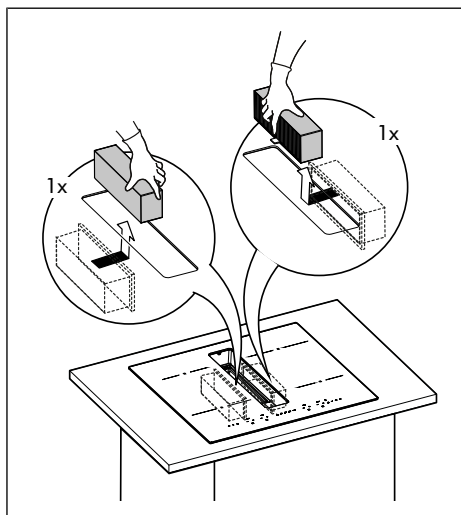
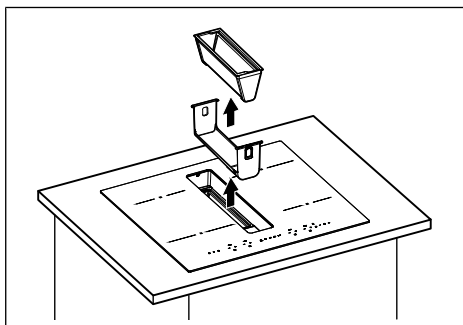
**NE PAS UTILISER D'USTENSILES OU OUTILS DE NETTOYAGE !**

Éviter l'usage de produits à base d'agents abrasifs. **NE PAS UTILISER D'ALCOOL !**

### Entretien des Filtres à graisse :

#### Il retient les particules de graisse produites par la cuisson.

Il doit être nettoyé une fois par mois (ou quand l'indicateur de saturation des filtres l'indique), avec des détergents non agressifs, à la main ou au lave-vaisselle à basse température et cycle rapide. Avec le lavage au lave-vaisselle, le filtre anti-graisse métallique peut décolorer mais ses caractéristiques de filtrage restent les mêmes.



### Entretien du Filtre à charbon actif non régénérable (uniquement pour la Version Filtrante) :

Il retient les odeurs désagréables de la cuisson. L'appareil est fourni avec un kit filtre anti-odeur.

La saturation du charbon actif se constate après un emploi plus ou moins long, selon la fréquence d'utilisation et la régularité du nettoyage du filtre à graisse.

Lorsque le voyant « **saturation filtres à charbon actif** » s'allume, les filtres doivent être remplacés. Ils NE peuvent PAS être lavés ou régénérés.

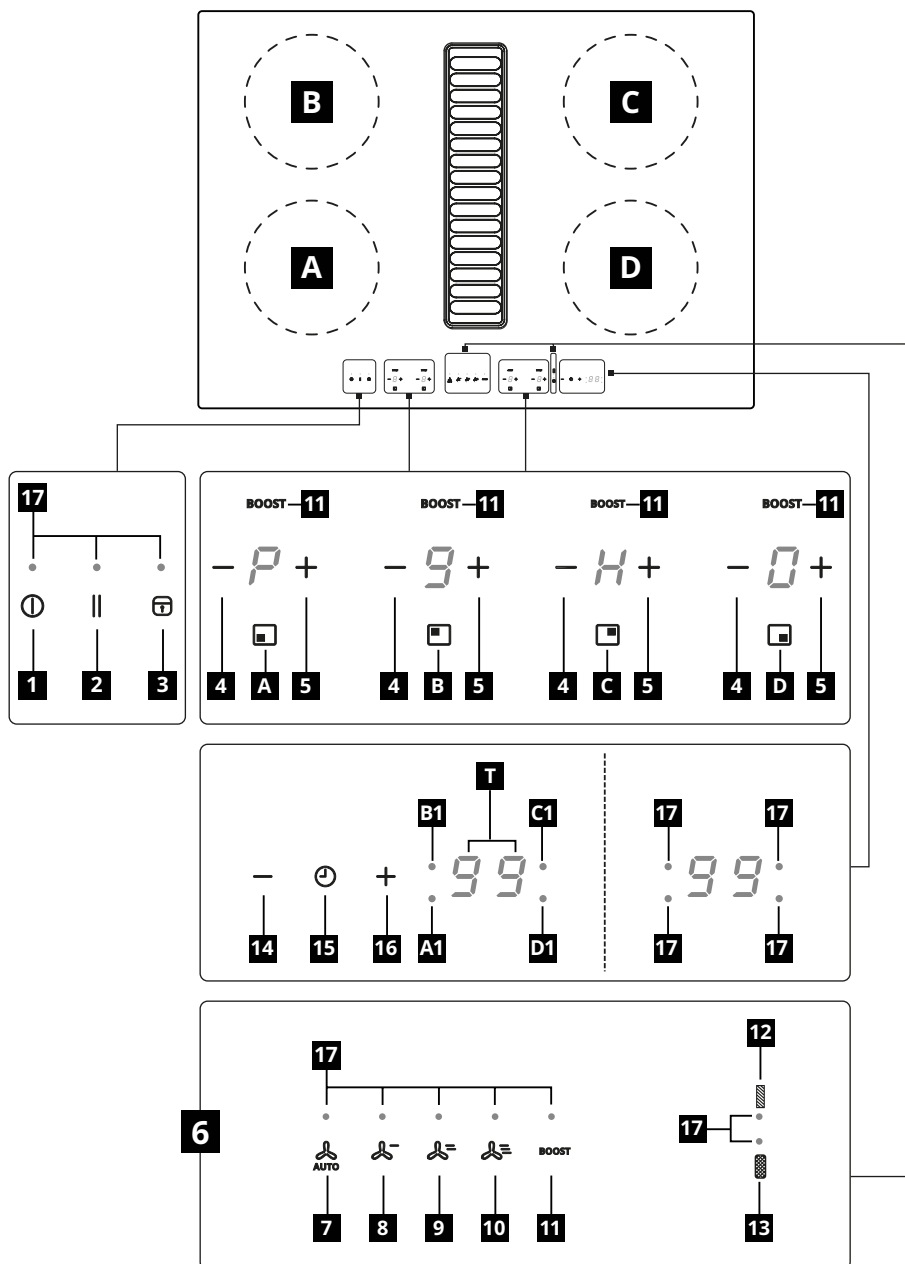


## Description du produit

The diagram shows a cooktop with six heating zones and a control panel. The zones are labeled A, B, C, and D. The control panel is labeled E, and the extractor hood is labeled F.

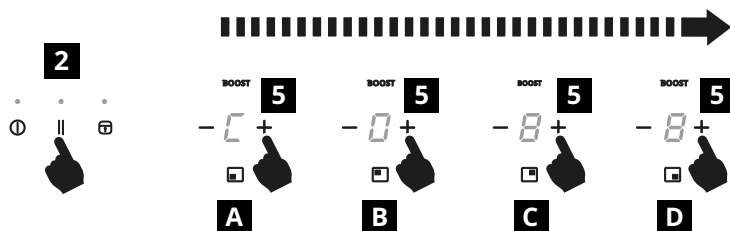
<b>A</b>	Zone de cuisson (diamètre 220 mm) 2300 W avec fonction Booster de 3000 W
<b>B</b>	Zone de cuisson (diamètre 160 mm) 1200 W avec fonction Booster de 1400 W
<b>C</b>	Zone de cuisson (diamètre 220 mm) 2300 W avec fonction Booster de 3000 W
<b>D</b>	Zone de cuisson (diamètre 160 mm) 1200 W avec fonction Booster de 1400 W
<b>E</b>	Panneau de commande
<b>F</b>	Extracteur

Panneau de commande



<b>Fonctions</b>	
<b>1</b>	Touche ON/OFF de la plaque de cuisson / extracteur pour plaque de cuisson
<b>2</b>	Touche fonction Pause
<b>3</b>	Touche de la fonction Verrouillage de sécurité « Cleaning Mode (Mode nettoyage) » – « Child Lock (Sécurité Enfants) »
<b>A - B - C - D</b>	Indicateur de position de la zone de cuisson
<b>4</b>	Touche - (diminue le niveau de puissance de la plaque de cuisson)
<b>5</b>	Touche + (augmente le niveau de puissance de la plaque de cuisson)
<b>6</b>	Touches fonction Extracteur
<b>7</b>	Touche fonction Extracteur Automatique
<b>8</b>	Touche On/Off Extracteur et Première vitesse.
<b>9</b>	Touche On/Off Extracteur et Deuxième vitesse
<b>10</b>	Touche On/Off Extracteur et Troisième vitesse
<b>11</b>	Touche Booster (dure 5 min, puis revient au niveau de puissance 9 pour la plaque de cuisson, ou à la troisième vitesse de l'extracteur)
<b>12</b>	Indicateur de saturation du filtre à graisse (après 40 heures d'utilisation)
<b>13</b>	Indicateur de saturation du filtre à charbon (après 160 heures d'utilisation)
<b>14</b>	Touche - Minuterie
<b>15</b>	Touche ON/Off Minuterie
<b>16</b>	Touche + Minuterie
<b>A1-B1-C1-D1</b>	Indicateur de position de la zone de cuisson A1-B1-C1-D1
<b>T</b>	Temps Minuterie qu'il est possible de régler de 1 à 99 minutes
<b>17</b>	Voyant indiquant les fonctions sélectionnées actives

## Limitation de puissance



### - Limitation de puissance (Power limitation)

Lors du premier branchement de l'appareil au secteur électrique domestique, l'installateur doit régler la puissance des zones de cuisson en fonction des capacités réelles du circuit électrique domestique (si l'appareil a déjà été connecté au secteur électrique domestique, il suffit de déconnecter et de reconnecter).

Si ce n'est pas nécessaire, il est possible d'allumer directement la plaque de cuisson à l'aide de la touche **On/Off (1)** ou de suivre la procédure décrite ci-dessous pour accéder au menu.

La procédure d'accès au menu doit être effectuée dans un intervalle de temps limité.

Après avoir branché l'appareil au secteur électrique domestique, s'il est impossible d'accéder au menu dans les délais prévus, il est possible de déconnecter et de reconnecter l'appareil au secteur électrique domestique.

Pour configurer le produit, procéder comme suit :

**1.** Brancher la plaque de cuisson au secteur électrique domestique.

**2.** Appuyer et maintenir la touche **Pause (2)** enfoncée puis à la suite, de gauche à droite, appuyer sur les touches **+** **(5)** des indicateurs de cuisson **A-B-C-D** ; à chaque pression de la touche **+** **(5)** un bref signal sonore est émis. Après avoir appuyé sur toutes les touches des indicateurs, il est possible de relâcher la touche **Pause (2)**.

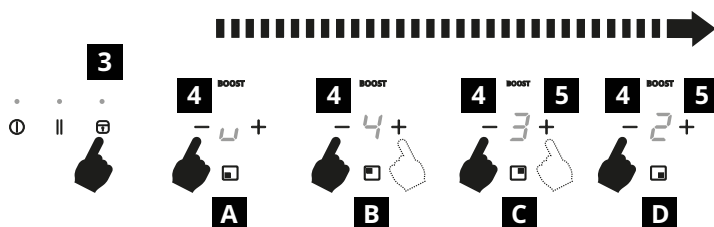
**3.** Un « **C** » apparaît sur l'écran de la zone de cuisson (**A**) et un « **0** » apparaît sur l'écran de la zone de cuisson (**B**) ; appuyer sur la touche **+** **(5)** de la zone de cuisson (**B**) jusqu'à ce qu'un « **7** » apparaisse sur l'écran de la zone de cuisson (**B**).

**4.** À ce moment-là, il est possible d'entrer dans le menu pour régler la puissance en fonction de la charge du secteur électrique. Appuyer sur la touche **+** **(5)** de la zone de cuisson (**C**) ; l'écran affiche un « **0** », et continuer à appuyer jusqu'à atteindre la valeur souhaitée. Pour régler les valeurs de puissance de « **0** » à « **6** » (voir tableau ci-dessous) en appuyant sur les touches **+** **(5)** ou **-** **(4)**.

**5.** Pour confirmer, appuyer sur la touche **Pause (2)** pendant 2 s.

Code	Puissance maximale Watt
0	7400 W
1	6000 W
2	5000 W
3	4000 W
4	3500 W
5	3000 W
6	2500 W

## Personnalisation du menu utilisateur



Pour configurer le produit, réaliser les opérations suivantes :

**1.** Brancher la plaque de cuisson au secteur électrique domestique.

**2.** Appuyer et maintenir la touche **Verrouillage (3)** enfoncée puis à la suite, de **gche** à **drte**, appuyer sur les touches **- (4)** des indicateurs de cuisson **A-B-C-D** ; à chaque pression de la touche **- (4)** un bref signal sonore est émis. Après avoir appuyé sur toutes les touches des indicateurs, il est possible de relâcher la touche **Verrouillage (3)**.

**3.** Un « **U** » apparaît sur l'écran de la zone de cuisson (**A**) et un numéro allant de « **0** » à « **4** », indiquant le code du menu (voir tableau ci-dessous), apparaît sur l'écran de la zone de cuisson (**B**).

**4.** Pour régler ou modifier le code du menu, utiliser les touches **+** (**5**) ou **-** (**4**) de la zone de cuisson (**B**).

**5.** Pour régler les valeurs du menu, utiliser les touches **+** (**5**) ou **-** (**4**) de la zone de cuisson (**C**).

**6.** Pour confirmer, appuyer sur la touche **Verrouillage (3)** pendant 2 s.

Code Menu	Description	Valeur
U0	Menu réglage Filtrés	0 - Off (Éteint) 1 - Filtre à charbon actif uniquement 2 - Filtre à graisse uniquement 3 - Les deux filtres actifs (par défaut)
U1	Menu de gestion du volume du signal sonore.	0 - Off (Éteint) 1 - Bas 2 - Moyen 3 - Élevé (par défaut) Attention ! certains sons ne peuvent pas être désactivés, et avec le réglage à 0, ils seront émis à faible volume).
U2	Mode automatique de l'extracteur on/off	0 - Fonction inactive à l'allumage. 1 - Fonction activée à l'allumage (par défaut)
U3	Fonction sécurité enfants à l'allumage	0 - Fonction non activée à l'allumage (par défaut) 1 - Fonction activée à l'allumage.
U4	Menu durée Minuterie	0 - 60 secondes 1 - 30 secondes (par défaut) 2 - 10 secondes 3 - 0 seconde

## Utilisation quotidienne

### À savoir avant de commencer

Toutes les fonctions de cette plaque de cuisson sont conçues pour se conformer aux normes de sécurité les plus strictes.


### Pour cette raison :

- Certaines fonctions ne s'activent pas, ou se désactivent automatiquement, en l'absence de casseroles sur les plaques ou quand celles-ci sont mal positionnées.

- Dans d'autres cas, les fonctions activées se désactivent automatiquement après quelques secondes quand la fonction sélectionnée requiert un autre réglage qui n'est pas fait (par ex. : « Allumer la plaque de cuisson » sans « Sélectionner la zone de cuisson » et le « Niveau de puissance », ou la « Fonction Lock » ou la fonction « Minuterie »).


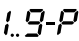

Attendre que l'affichage se coupe avant de s'approcher de la zone de cuisson.




**Attention !** En cas (par exemple) d'utilisation prolongée, l'extinction de la zone de cuisson pourrait ne pas être immédiate en phase de refroidissement ; le

symbole , indiquant que la phase est active, apparaît sur l'écran. Attendre que l'affichage se coupe avant de s'approcher de la zone de cuisson.

### Affichage zone de cuisson

les écrans relatifs aux zones de cuisson indiquent :

Fonction	Valeur
Zone de cuisson allumée	
Niveau de puissance (Power Level)	
Indicateur de chaleur résiduelle (Residual Heat Indicator)	

Fonction	Valeur
Verrouillage de sécurité (Cleaning Mode-Child Lock)	
Indicateur d'absence de casseroles (No Pot indicator)	
Fonction Pause	

### Activation sûre (Safe Activation).

L'appareil s'active uniquement en présence de casseroles sur les zones de cuisson : le processus de chauffe ne se déclenche pas sans casseroles, et s'arrête en les enlevant. Si la casserole est retirée pendant le fonctionnement ou si une casserole n'est pas utilisée, l'écran à côté du graphique à

barres clignote avec le symbole .

### Arrêt de sécurité (Safety Shut Down).

Pour des raisons de sécurité, chaque zone est dotée d'un temps de fonctionnement maximal qui dépend du niveau de puissance programmé.


Niveau cuisson	Durée maximale (min)
1	516
2	402
3	318
4	258
5	210
6	138
7	138
8	108
9	90

### Arrêt automatique (Automatic Switch Off).

L'extinction automatique se produit lorsque le produit est allumé mais qu'il n'y a plus de fonction active.

### Indicateur de chaleur résiduelle (Residual Heat Indicator).

L'indicateur de chaleur résiduelle est une fonction de sécurité pour signaler que la surface de la zone de cuisson est encore à une température égale ou supérieure à 45°C et qu'elle pourrait donc provoquer des brûlures au contact des mains nues. L'écran de la zone de cuisson correspondante

indique .

### - Fonctionnement de la plaque de cuisson

Remarque : Pour activer n'importe quelle fonction, il faut d'abord activer la zone souhaitée.

#### - Niveau de puissance (Power Level)

La plaque est dotée de **9** niveaux de puissance.

Pour régler le niveau de puissance souhaité, sélectionner les touches **+** (5) ou **-** (4).

#### - Allumage (1)

Appuyer sur la touche **On/Off** (1) pour allumer la plaque de cuisson et l'extracteur ; tous les écrans (**A-B-C-D**) afficheront des **0** fixes pendant environ 20 secondes. Si aucune opération n'est réalisée dans ce délai, la plaque s'éteint.

- Sélectionner la zone de cuisson souhaitée et régler le niveau de puissance à l'aide des touches **+** (5) et **-** (4).

- Si le niveau de puissance est défini à **0**, la touche **-** (4) permet de passer directement à **9**.

- Si le niveau de puissance est défini à **9**, la touche **+** (5) permet de passer directement à **0**.

- En maintenant la touche **+** (5) ou **-** (4) enfoncée, il est possible d'augmenter rapidement le niveau de puissance, en s'arrêtant lorsque **0** ou **9** est atteint.

Pour éteindre la zone de cuisson, appuyer simultanément et pendant 1 seconde sur les touches **+** (5) et **-** (4).

#### - Power Booster (11)

Le produit est doté d'un système **Booster** qui permet d'accélérer les temps de cuisson, en appliquant une puissance supérieure à la puissance nominale sur une période de temps définie.

- Pour l'actionner, allumer la zone de cuisson concernée et appuyer sur la touche **Booster** (11) ; l'écran affichera la lettre **P**.

- La fonction **Booster** sera activée pendant 5 minutes, puis la cuisson se poursuivra au niveau **9**.

- En appuyant sur **+** (5) ou **-** (4) ou sur « **Booster** », la fonction se désactive.

Le **Booster** pourrait ne pas s'activer en cas de température trop élevée.

#### - Dispositifs de sécurité (verrouillage (3))

la touche verrouillage (3) empêche un fonctionnement involontaire de la plaque de cuisson et de l'extracteur.

Il peut être activé lorsque la surface de la plaque de cuisson doit être nettoyée pendant la cuisson (**Cleaning Mode**), ou pour empêcher les enfants ou les personnes nécessitant une surveillance (**Child Lock**) d'accéder à la plaque/à l'extracteur.

- La plaque peut être allumée mais aucune zone de cuisson ne peut être sélectionnée.

- Le dispositif de sécurité verrouillage (3) est gardé en mémoire même lorsque la plaque est éteinte ou si l'alimentation est coupée ; cette fonction n'est active que pour la sécurité enfants (**Child Lock**).

- Si la plaque de cuisson est allumée et que le dispositif de sécurité verrouillage est activé, la touche **ON/OFF** fonctionne également.

#### - Mode de nettoyage (3) (Cleaning Mode)

Verrouille les réglages de la plaque de cuisson et de l'extracteur, pour éviter toute altération accidentelle, **en laissant actives les fonctions déjà configurées.**

- Pour activer la fonction, appuyer sur la touche verrouillage **(3)**, le voyant correspondant à la touche s'allume, suivi d'un signal sonore.

- L'écran des zones de cuisson affiche l'inscription « **L** » pendant 4 secondes. Si une ou plusieurs zones sont encore chaudes, les lettres « **H** » et « **L** » s'alternent sur les écrans correspondants.

- Pour désactiver la fonction, appuyer pendant 2 secondes sur la touche **(3)**, un signal sonore est émis et le voyant correspondant s'éteint.

### - Sécurité enfants (3) (Child Lock).

**Verrouille toutes les fonctions inactives** et empêche le fonctionnement involontaire de la plaque de cuisson/de l'extracteur en procédant comme suit :

- allumer la plaque (si elle est éteinte) en sélectionnant la touche « **On/Off** » **(1)**.

- Appuyer sur la touche verrouillage **(3)** pendant 4 secondes ; le voyant correspondant à la touche s'allume, suivi d'un signal sonore.

- L'écran des zones de cuisson affiche l'inscription « **L** », ce qui indique que la fonction est active.

Si une ou plusieurs zones sont encore chaudes, les lettres « **H** » et « **L** » s'alternent sur les écrans correspondants.

- Pour désactiver la fonction, appuyer pendant 4 secondes sur la touche **(3)** ; le « **L** » n'est plus affiché sur l'écran, et le voyant de la touche s'éteint, suivi d'un signal sonore.

### - Fonction Pause (2)

Cette fonction permet de mettre en **pause** toute fonction active sur la plaque de cuisson, en réduisant au niveau 1 la puissance disponible dans les zones de cuisson.

Pour l'activer, appuyer sur la touche **(2)** ; le

symbole **'** indiquant que la fonction est active s'affichera sur l'écran de la plaque de cuisson.

Avec la fonction pause active, les minuteriers actives continueront à fonctionner.

Si la fonction pause **(2)** n'est pas désactivée dans les 10 minutes, la plaque de cuisson s'éteint automatiquement.

Pour désactiver la fonction, appuyer à nouveau sur la touche **pause (2)**.

Une fois la pause désactivée, la zone de cuisson fonctionne à nouveau avec le niveau précédemment sélectionné.

Chaque opération sera accompagnée d'un signal sonore « **BIP** ».

### - Minuterie (15)

Cette fonction permet de définir le temps (de 1 à 99 minutes) pour l'arrêt automatique de la zone de cuisson sélectionnée.

La minuterie peut être activée sur toutes les zones de cuisson.

- En appuyant sur la touche minuterie (15), les minuteriers des 4 zones de cuisson **A1-B1-C1-D1** défilent dans le sens des aiguilles d'une montre ; les zones de cuisson sont indiquées par le voyant correspondant **(17)**.

- Avec les touches **+** **(16)** et **-** **(14)**, régler le temps d'extinction de la zone de cuisson, attendre 5 secondes ou appuyer sur la touche minuterie **(15)** pour confirmer.

- Les minutes restantes seront affichées sur l'écran de la minuterie.

- Il est possible de régler plusieurs minuteriers, même si seule la minuterie la plus proche de la fin sera affichée.

Pour vérifier le temps restant de chaque zone de cuisson, appuyer sur la touche **(15)**.

- Lorsque la minuterie est terminée, un son sera émis et la zone de cuisson correspondante s'éteindra.

### - Fonctionnement de l'extracteur (6)

Pour activer l'extracteur, la plaque de cuisson doit être allumée.

Voyant **(17)** allumé fonction active.

Voyant **(17)** éteint fonction désactivée.



- Bouton **(7)** mode automatique On/Off, la vitesse du ventilateur augmente ou diminue en fonction de la température de la plaque de cuisson et de la consommation d'énergie.

- Touche **(8)** On/Off Extracteur et Première vitesse.

- Touche **(9)** On/Off Extracteur et Deuxième vitesse.

- Touche **(10)** On/Off Extracteur et Troisième vitesse.

- Touche **(11)** Booster (dure 5 min puis revient à la vitesse précédemment définie).

**Attention !** À la fin de la cuisson, en appuyant sur la touche On/Off, l'extracteur continue de fonctionner pendant 5 min supplémentaires à la première vitesse ; le voyant clignote jusqu'à la fin du temps, puis l'extracteur s'éteint.

### - Indicateur de saturation du filtre à graisse **(12)**

Lorsque le voyant s'allume, il est nécessaire d'effectuer l'entretien du filtre à graisse.

- Pour la réinitialisation, appuyer et maintenir enfoncées les touches 7-8 pendant 3 secondes ; les voyants des touches 7-8 clignotent, le signal sonore confirme la réinitialisation (les voyants 12-7-8 s'éteignent).

### - Indicateur de saturation du filtre à charbon **(13)**

Lorsque le voyant s'allume, il est nécessaire d'effectuer l'entretien du filtre à charbon.

- Pour la réinitialisation, appuyer et maintenir enfoncées les touches 7-9 pendant 3 secondes ; les voyants des touches 7-9 clignotent, le signal sonore confirme la réinitialisation (les voyants 13-7-9 s'éteignent).

## Fonction de gestion de la puissance

Ce produit est doté d'une fonction de gestion de puissance à contrôle électronique.

Cette fonction contrôle la distribution de la puissance maximale entre les zones de cuisson utilisées, en optimisant la distribution de puissance et en évitant les situations de surcharge du système.

**Plaque de cuisson au niveau de puissance maximale**, la fonction répartit la puissance entre les zones de cuisson utilisées et réduit automatiquement la puissance des autres zones de cuisson, si nécessaire (la priorité la plus élevée est attribuée à la dernière commande).

**Plaque de cuisson avec limitation de puissance**, la fonction répartit la puissance entre les zones de cuisson en empêchant de régler la puissance des autres zones de cuisson en dépassant la limite (pour augmenter la puissance d'une zone de cuisson particulière, il est nécessaire de réduire manuellement le niveau de puissance défini pour les autres).

### Exemple :

Si le niveau de puissance supplémentaire BOOST est sélectionné pour la zone de cuisson **A**, la zone de cuisson **B** ne pourra pas dépasser simultanément le niveau de puissance 9 et sera automatiquement limitée.

## Plaque de cuisson

Niveau de puissance		Typologie de cuisson	Utilisation (selon l'expérience et les habitudes de cuisson)
Puissance maximale	P	Réchauffer rapidement	augmentation rapide de la température de l'aliment jusqu'à ébullition en cas d'eau ou réchauffer rapidement les liquides de cuisson
	8 - 9	Frïre - bouillir	brunir, commencer une cuisson, frïre des produits surgelés, bouillir rapidement
Puissance élevée	7 - 9	Faire revenir - rissoler - bouillir - griller	faire rissoler, maintenir une ébullition vive, cuire et griller (à courtes durées, 5 à 10 minutes)
	6 - 7	Faire revenir - cuire - cuire à l'étouffée - rissoler - griller	faire rissoler, maintenir une ébullition vive, cuire et griller (à courtes durées, 10 à 20 minutes)
Puissance moyenne	4 - 5	Cuire - cuire à l'étouffée - brunir - griller	étouffer, maintenir en ébullition douce, cuire (pour une longue période), remuer les pâtes
	3 - 4	cuire - mijoter - épaissir, remuer	cuissons prolongées (riz, sauces, rôtis, poisson) en présence de liquides d'accompagnement (ex. eau, vin, bouillon, lait), amalgamer les pâtes
	2 - 3	cuire - mijoter - épaissir, remuer	cuissons prolongées (volumes inférieurs à un litre : riz, sauces, rôtis, poisson) en présence de liquides d'accompagnement (ex. eau, vin, bouillon, lait)
Faible Puissance	1 - 2	Faire fondre - dégeler - garder au chaud - rendre crémeux	fondre le beurre, le chocolat délicatement, décongeler les produits de petites dimensions
	1	Faire fondre - dégeler - garder au chaud - rendre crémeux	garder chaud des petites portions justes cuisinées ou garder en température des plats à servir et remuer des risottos
OFF	0	Surface d'appui	Plaque de cuisson en position veille ou éteinte (présence possible de chaleur résiduelle de la fin de la cuisson, signalée par H-L-O)

## Instructions pour l'utilisation des casseroles

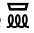
### Quelles casseroles utiliser

Utiliser exclusivement des casseroles avec un fond en matériau ferromagnétique adapté à une utilisation sur

plaques de cuisson à induction :

- fonte
- acier émaillé
- acier au carbone

- acier inoxydable (même si non entièrement)
- aluminium avec revêtement ferromagnétique ou fond avec plaque ferromagnétique.

Pour déterminer si une casserole est adaptée, contrôler que le symbole  (généralement gravé sur le fond) soit présent. Il est également d'approcher un

aimant au fond de la casserole. Si elle reste attachée, cela signifie que la casserole peut être utilisée sur une plaque de cuisson à induction.

Pour garantir une efficacité optimale, toujours utiliser des casseroles et des poêles à fond plat capables de répartir uniformément la chaleur. Un fond non parfaitement plat peut affecter la conduction de la puissance et de la chaleur.

### Comment utiliser les casseroles

Diamètre minimal de la casserole pour les différentes zones de cuisson. Pour s'assurer que la plaque de cuisson fonctionne correctement, la casserole doit couvrir un ou plusieurs points de repère présent sur la surface de la plaque de cuisson, et doit avoir un diamètre minimal approprié. Toujours utiliser la zone de cuisson qui correspond le mieux au diamètre du fond de la casserole.

Zone de cuisson	Diamètre du fond de la casserole	
	Ø min. (conseillé)	Ø max (conseillé)
Postérieure gauche	110mm	160mm
Antérieure gauche	120mm	220mm
Postérieure droite	120mm	220mm
Antérieure droite	110mm	160mm

### Casseroles/poêles vides ou à fond mince

Ne pas utiliser de casseroles/poêles vides ou à fond mince sur la plaque de cuisson, car cela ne permettrait pas de contrôler la température ou d'éteindre automatiquement la zone de cuisson si la température est trop élevée, avec le risque d'endommager la casserole ou la surface de la plaque de cuisson. Si cela se produit, ne rien toucher et attendre que tous les composants refroidissent. Si un message d'erreur s'affiche, consulter la section « Guide de dépannage ».

### Conseils/suggestions

Bruits pendant le fonctionnement  
Lorsqu'une zone de cuisson est activée, un court bourdonnement se fait entendre. Ce phénomène est typique des zones de cuisson en vitrocéramique et n'affecte ni le fonctionnement ni la durée de vie de l'appareil. Le bruit peut dépendre de la casserole utilisée. En présence d'une gêne élevée, il peut être utile de remplacer la casserole.

### Bruits normaux de la plaque de cuisson à induction

La technologie à induction repose sur la création de champs électromagnétiques pour générer de la chaleur directement sur le fond des casseroles. Les casseroles et les poêles peuvent donner lieu à des bruits ou à des vibrations en fonction de la façon dont elles ont été produites. Ces bruits peuvent être décrits comme suit :

#### Léger bourdonnement (comme celui d'un transformateur)

Ce bruit se produit lorsque la température de cuisson est élevée. Cela dépend de la quantité d'énergie transférée de la plaque de cuisson à la casserole. Le bruit cesse ou s'atténue lorsque le niveau de chaleur est réduit.

#### Léger sifflement

Ce bruit se produit lorsque le récipient de cuisson est vide. Le bruit cesse en versant des liquides ou des aliments dans le récipient.

#### Crépitement

Ce bruit se produit lorsque la casserole est constituée de plusieurs couches superposées. Il est causé par les vibrations des surfaces formées de différents matériaux en contact entre eux. Le bruit est produit par la casserole et peut varier en fonction de la quantité d'aliments ou de liquides et de la méthode de cuisson (ex. ébullition, cuisson à feu doux, friture).

**Sifflement fort**

Ce bruit se produit lorsque la casserole est constituée de matériaux différents, stratifiés les uns sur les autres, et lorsqu'elle est utilisée sur la plaque de cuisson à la puissance maximale et sur deux zones de cuisson. Le bruit cesse ou s'atténue lorsque le niveau de chaleur est réduit.

**Ces bruits sont normaux****Bruits du ventilateur**

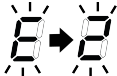

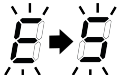
Pour le fonctionnement correct du système électronique, il est nécessaire de régler la température de la plaque de cuisson. À cette fin, la plaque de cuisson est dotée d'un ventilateur de refroidissement qui se met

en marche pour réduire et régler la température du système électronique. Le ventilateur peut continuer à fonctionner même après l'extinction de la plaque de cuisson si la température détectée est encore trop élevée.

**Bruits rythmés, similaires à ceux des aiguilles d'une montre.**

Ce bruit se produit uniquement lorsqu'au moins trois zones de cuisson sont en marche et disparaît ou s'atténue lorsque deux zones sont éteintes. Ces bruits décrits comme phénomènes normaux de la technologie à induction, ne sont pas à considérer comme des défauts.

**Dépannage**

Code d'information	Description	Causes possibles	Solution
	La zone commandes s'éteint à cause d'une trop haute température	La température interne des pièces électroniques est trop élevée	Attendre que la plaque refroidisse avant de l'utiliser à nouveau
	Récipient non adapté	Perte des propriétés magnétiques	Retirer la casserole
	Problèmes de communication entre l'interface utilisateur et le module à induction	Le courant électrique n'arrive pas au module : le câble d'alimentation n'a pas été correctement branché ou est défectueux	Débrancher la plaque du circuit électrique et vérifier le raccordement
<b>Pour tous les autres signaux d'erreur</b>	Appeler le service assistance technique et communiquer le code d'erreur		

Avant de contacter le Service d'Assistance, vérifiez qu'il est impossible de résoudre le problème pas vous-même en vous basant sur les points décrits dans « Dépannage ». Si malgré tous les contrôles, la plaque ne fonctionne pas et que le problème que vous avez détecté persiste, appelez le Centre d'Assistance Technique.

Indiquez :

- le modèle de la machine (Mod.)
- le numéro de série (S/N)

Ces dernières informations se trouvent sur la plaque signalétique fixée sur l'appareil et/ou sur l'emballage.

**Attention ! Ne faites jamais appel à des techniciens non autorisés et refusez toujours l'installation de pièces de rechange non d'origine.**

## Données Techniques

Données techniques de l'extracteur pour plaque de cuisson			
		Unité	Valeur
Modèle identifiant			<b>TACKNAN 10598635</b>
Type de produit			ENCASTREMENT
Dimensions	Largeur	mm	600
	Profondeur	mm	515
	Hauteur	mm	255
Débit d'air max* - Installation aspirante		m3/h	480
Bruit max* - Installation aspirante			61
Débit d'air max* - Installation filtrante**			380
Bruit max* - Installation filtrante**			68
Puissance nominale extracteur		W	160
Puissance nominale plaque de cuisson		W	7240
Puissance totale maximale		W	7400
Consommation d'énergie	Off Mode	Wh	0,49
	Veille	Wh	N/A
Poids du produit		Kg	15,4
<b>Efficacité énergétique de l'extracteur</b>			
<b>Informations sur le produit conformément au règlement de la Commission (UE) n. 65/2014</b>			
Nom du fournisseur		<b>IKEA</b>	<b>IKEA</b>
Consommation d'énergie annuelle - AEC		Kwh/an	34,5
Classe d'efficacité énergétique			A
Efficacité fluidodynamique FDE		%	29
Classe d'efficacité fluidodynamique			A
Efficacité de filtration des graisses - GFE		%	85,1
Classe d'efficacité de filtration des graisses			B
Débit d'air minimal (puissance normale)		m3/h	205
Débit d'air maximal (puissance normale)		m3/h	480
Réglage du débit d'air en mode boost		m3/h	590

Niveau de puissance acoustique pondéré A des émissions sonores à la vitesse minimale	dBA	44	
Niveau de puissance acoustique pondéré A des émissions sonores à la vitesse maximale	dBA	61	
Niveau de puissance sonore pondéré A des émissions sonores en mode boost	dBA	66	
Consommation d'énergie en Mode off-P0	W	0,49	
Consommation d'énergie en mode veille-Ps	W	N/A	
<b>Informations sur le produit conformément au règlement de la Commission (UE) n. 66/2014</b>			
Facteur d'augmentation dans le temps - f		1	
Indice d'efficacité énergétique - EEI		51,3	
Débit d'air mesuré au point d'efficacité maximale - QBEP	m3/h	290	
Pression d'air mesurée au point d'efficacité maximale - PBEP	Pa	340	
Débit d'air maximal - Qmax	m3/h	480	
Consommation d'énergie électrique au point d'efficacité maximale - WBEP	W	94,5	
<b>Efficacité énergétique de la plaque de cuisson</b>			
<b>Informations sur le produit selon la Directive UE n°66/2014</b>		<b>Unité</b>	<b>Valeur</b>
Modèle identifiant			<b>TACKNAN 10598635</b>
Type de produit			Induction
Nombre de zones de cuisson			4
Technologie de cuisson			Induction
Diamètre des zones de cuisson circulaires (Ø)	Avant Gche	mm	220
	Arrière Gche		160
	Avant Gche		160
	Arrière Gche		220
Consommation d'énergie par zone de cuisson (CE cuisson électrique)	Avant Gche	Wh/Kg	191,9
	Arrière Gche		195,8
	Avant Gche		181,0
	Arrière Gche		174,4
Consommation d'énergie totale		Wh/Kg	185,8

EN 60350-2 - Appareils de cuisson électrodomestiques - Partie 2 : Tables de cuisson - Méthodes de mesure des performances

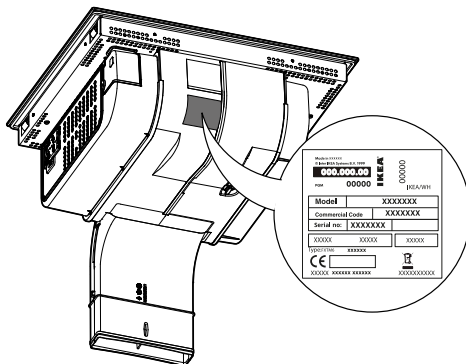
<b>Informations sur le produit pour la consommation d'énergie et le temps maximal pour atteindre le mode basse puissance applicable</b>	<b>Unité</b>	<b>Valeur</b>
---	--------------	---------------

Consommation de puissance en mode éteint	W	0,5
Temps maximal nécessaire au dispositif pour atteindre automatiquement le mode à basse puissance applicable	Min	3

\*Vitesse maximale (Boost exclu)

\*\* Installation filtrante - Valeur du flux d'air pour l'installation filtrante dotée d'un kit filtrant NYTTIG 806-231-27 pour plaque de cuisson

Les données techniques et le numéro de série sont indiqués sur la plaque apposée sur le côté intérieur de l'appareil.



## Fabricant

Ikea of Sweden AB-SE-343 81 Älmhult, Suède

## GARANTIE IKEA

### Quelle est la durée de validité de la garantie IKEA ?

Cette garantie est valable 5 ans à compter de la date d'achat/de livraison de votre appareil dans un magasin IKEA. Il est nécessaire de présenter le ticket original comme preuve d'achat. Les interventions d'assistance effectuées durant la garantie ne prolongeront pas sa période de validité.

### Qui fournit le service ?

Le service d'assistance sélectionné et agréé par IKEA fournira le service à travers son réseau de Partenaires d'Assistance Agréés.

### Que couvre cette garantie ?

La garantie couvre les défauts de l'appareil dus à des vices de fabrication (défaut fonctionnel), à compter de la date d'achat/de livraison de l'appareil. Cette garantie ne s'applique que dans le cas d'un usage domestique. Les exceptions sont spécifiées sous la rubrique « Qu'est-ce qui n'est pas couvert par cette garantie ? ». Pendant la période de garantie, les coûts de réparation (pièces de rechange, main-d'œuvre et déplacements du personnel technique) seront pris en charge

par le service d'assistance, à condition que l'appareil soit accessible à des fins de réparation sans frais particuliers. Ces conditions sont conformes aux directives EU (N° 99/44/CE) et aux normes locales. Les composants remplacés deviennent propriété d'IKEA.

### Comment interviendra IKEA pour résoudre le problème ?

Le service d'assistance désigné par IKEA pour exécuter le service examinera le produit et décidera, à sa seule discrétion, s'il est couvert par cette garantie. Le Service d'Assistance IKEA ou son Partenaire d'Assistance agréé réparera le produit défectueux ou le remplacera par un produit identique ou d'une valeur identique, à travers les Centres d'Assistance, à sa seule discrétion.

### Qu'est-ce qui n'est pas couvert par la garantie ?

- L'usure normale
- Les dommages occasionnés sciemment ou les dommages provoqués par le non-respect des instructions de fonctionnement, par une installation incorrecte ou à la suite d'un branchement à une tension erronée. Les dommages provoqués par des réactions chimiques, la rouille, la corrosion ou des dégâts des eaux, y compris les dommages causés par un excès de calcaire présent dans les tuyaux d'eau. Les dommages provoqués par des conditions environnementales anormales.
- Les accessoires sujettes à l'usure, y compris les piles et les ampoules.
- Les dommages à des pièces non fonctionnelles et décoratives qui n'affectent pas l'usage normal de l'appareil, y compris les rayures et les différences de couleur.
- Les dommages provoqués par des corps ou des substances étrangères et les dommages provoqués par le nettoyage ou l'élimination des obstructions des filtres, des systèmes d'évacuation ou des bacs à lessive.
- Les dommages occasionnés aux composants suivants : vitrocéramique, accessoires, paniers à couverts et à vaisselle, tuyaux d'alimentation et de vidange, joints, ampoules et protections des ampoules, grilles, poignées, revêtement et parties de revêtement. À moins qu'il ne soit prouvé que ces dommages ont été provoqués par des vices de fabrication.
- Cas où aucun défaut fonctionnel n'est détecté durant la visite d'un technicien.
- Les réparations qui ne sont pas effectuées par notre Service d'Assistance agréé et/ou par un Partenaire d'Assistance contractuel agréé ou en cas d'utilisation de pièces non d'origine.
- Les réparations consécutives à une installation incorrecte ou non conforme aux spécifications.



- Les cas d'utilisation impropre et/ou non domestique de l'appareil, par exemple usage professionnel.
- Dommages dus au transport. Si un client transporte le produit jusqu'à son domicile ou à une autre adresse, IKEA n'est pas responsable des dommages qui pourraient se produire durant le transport. Si IKEA effectue le transport du produit à l'adresse du client, tout dommage survenu au produit durant la livraison sera couvert par IKEA.
- Frais liés à la première installation de l'appareil IKEA. Si un prestataire de services IKEA ou un partenaire agréé répare ou remplace l'appareil conformément à cette garantie, le prestataire ou le partenaire agréé réinstallera l'appareil réparé ou installera l'appareil de remplacement, si nécessaire. Ces restrictions ne s'appliquent pas aux interventions régulières effectuées par un personnel technique qualifié avec des pièces de rechange d'origine pour adapter l'appareil aux dispositions techniques de sécurité d'un autre pays UE.

### Application des lois nationales

Le client est titulaire des droits prévus par le D. Lgs. n.206/2005 et cette garantie IKEA de 5 (cinq) ans ne porte pas atteinte à ces droits qui répondent ou étendent les droits minimaux légaux de chaque pays en termes de garantie. Ces conditions ne limitent cependant aucunement les droits des consommateurs définis par les lois locales.

### Couverture géographique

Pour les appareils achetés dans un pays européen et emmenés dans un autre pays européen, les services seront fournis dans le cadre des conditions de garantie applicables dans le nouveau pays. L'obligation de fournir le service dans le cadre des conditions de la garantie n'est effective que si l'appareil est conforme et installé conformément aux :

- spécifications techniques du pays dans lequel l'application de la garantie est demandée ;

- informations relatives à la sécurité figurant dans les Instructions de montage et dans le Manuel d'utilisation.

### Le Service d'ASSISTANCE exclusif pour appareils IKEA

N'hésitez pas à contacter le Centres d'Assistance Agréé désigné par IKEA pour :

- faire une demande d'assistance technique pendant la période de garantie
- demander des informations sur le fonctionnement des appareils électroménagers IKEA.

Pour vous assurer la meilleure assistance possible, veuillez lire attentivement les instructions d'assemblage et/ou le manuel d'instructions du produit avant de nous contacter.

### Comment nous contacter si vous avez besoin d'assistance



Veuillez contacter le numéro du centre d'assistance IKEA indiqué sur la dernière page de ce manuel.

**i** Pour vous garantir un service plus rapide, utilisez les numéros de téléphone indiqués dans ce manuel. Faites toujours référence aux numéros indiqués dans le manuel de l'appareil pour lequel vous avez besoin d'une assistance. Nous vous suggérons d'avoir toujours à disposition la référence IKEA (8 chiffres) et la référence à 12 chiffres, indiquées sur l'étiquette de votre produit.

### **i** CONSERVEZ LE DOCUMENT D'ACHAT/ LIVRAISON !

C'est la preuve de votre achat et il est nécessaire de le montrer pour que la garantie soit valable. Le ticket indique également le nom et la référence article IKEA (8 chiffres) pour chaque appareil acheté.

**Vous avez besoin d'informations supplémentaires ?**

Pour toute information non relative à l'assistance, veuillez contacter le Service Client du point de vente IKEA de référence. Nous vous prions de lire attentivement la documentation technique relative à l'appareil avant de nous contacter.

## Inhoud

Veiligheidsinformatie	91	Personalisatie van het gebruikersme-	107
Installatie	94	nu	
Elektrische aansluiting	95	Dagelijks gebruik	108
Adviezen voor het behoud van het mi-	100	Functie voor beheer van het vermo-	111
lieu		gen	
Suggesties voor gebruik	100	Tabel bereidingen	113
Gebruik	100	Instructies voor het gebruik van de	113
Reiniging en onderhoud	101	pannen	
Beschrijving van het product	103	Problemen oplossen	115
Bedieningspaneel	104	Technische gegevens	116
Vermogensbeperking	106	Fabrikant	118
		GARANTIE IKEA	119

## Veiligheidsinformatie

### **Vóór het eerste gebruik**

#### **Neem de aanwijzingen van deze handleiding strikt in acht.**

Wij aanvaarden geen aansprakelijkheid voor eventuele problemen, schade of brand, veroorzaakt door het apparaat als gevolg van de niet-naleving van de aanwijzingen van deze handleiding. Het apparaat is uitsluitend bedoeld voor een huishoudelijk gebruik, voor het koken van voedingsmiddelen en het afzuigen van de dampen van het kookproces.

Ander gebruik is niet toegestaan (bijv. het verwarmen van omgevingen). De fabrikant aanvaardt geen aansprakelijkheid voor een oneigenlijk gebruik of voor verkeerde instellingen van de bedieningselementen.

Bewaar deze instructies altijd bij het apparaat, ook in geval van overdracht aan derden. Het is belangrijk dat alle gebruikers alle werkings- en veiligheidskenmerken van het apparaat kennen.

De instructies aandachtig lezen: deze bevatten belangrijke informatie over de installatie, het gebruik en de veiligheid. Breng geen elektrische wijzigingen aan het apparaat aan.

Voorafgaand aan de installatie van het apparaat moet gecontroleerd worden dat alle onderdelen onbeschadigd zijn. Neem anders contact op met uw leverancier en ga niet verder met de installatie.

Controleer eerst of het apparaat intact is voordat u verder gaat met de installatie. Neem anders contact op met uw leverancier en ga niet verder met de installatie.

-  Dit is het symbool voor gevaar voor de veiligheid dat waarschuwt voor mogelijke risico's voor de gebruiker en voor anderen. Alle meldingen betreffende de veiligheid worden voorafgegaan door het gevaarsymbool en de volgende termen:
-  **GEVAAR:** geeft een gevaarlijke situatie aan die, indien niet vermeden, ernstig letsel veroorzaakt.
-  **WAARSCHUWING:** geeft een gevaarlijke situatie aan die, indien niet vermeden, ernstig letsel kan veroorzaken.
-  **WAARSCHUWING:** het niet installeren van schroeven of bevestigingsmiddelen volgens deze instructies kan leiden tot elektrisch gevaar.
-  **WAARSCHUWING:** Neem de volgende aanwijzingen strikt in acht:

- Voordat er handelingen voor de installatie worden verricht, moet het apparaat eerst worden losgekoppeld van het elektriciteitsnet.
- Gebruik tijdens de handelingen voor installatie en onderhoud altijd werkschoenen.
- De installatie of het onderhoud moeten worden uitgevoerd door een gespecialiseerde technicus, in overeenstemming met de aanwijzingen van de fabrikant en conform de plaatselijk geldende normen inzake de veiligheid.
- Gebruik voor de installatie alleen de bij het product geleverde bevestigingschroeven of koop, indien ze niet geleverd worden, het correcte type schroef.
- Gebruik een correcte lengte voor de schroeven zoals beschreven in de handleiding voor installatie.
- Geen enkel deel van het product mag gerepareerd of vervangen worden, tenzij dat uitdrukkelijk wordt aangegeven in de handleiding.
- Kinderen moeten onder toezicht staan om ervoor te zorgen dat ze niet met het apparaat spelen.
- Houd kinderen op een veilige afstand en zorg ervoor dat ze voortdurend onder toezicht staan, omdat toegankelijke onderdelen tijdens gebruik erg heet kunnen worden.
- De product mag gebruikt worden door kinderen vanaf 8 jaar oud en door personen met verminderde lichamelijke, zintuiglijke of geestelijke vermogens, of met gebrek aan ervaring of de nodige kennis, mits deze onder toezicht staan of nadat ze aanwijzingen hebben ontvangen over het veilige gebruik van het product en ze de bij het gebruik betrokken gevaren begrepen hebben.
- **⚠ WAARSCHUWING:** Het product en de toegankelijke onderdelen worden tijdens het gebruik heet. Let op om de verwarmingselementen niet aan te raken.
- Tijdens en na gebruik mogen de verwarmingselementen het product niet worden aangeraakt.
- Vermijd contact met doeken of ander brandbaar materiaal totdat alle onderdelen het product voldoende zijn afgekoeld: brandgevaar.
- Brandgevaar: plaats geen voorwerpen op kookoppervlakken.
- Oververhitte vetten en oliën kunnen gemakkelijk vlam vatten.
- **⚠ WAARSCHUWING:** Koken zonder toezicht te houden op een kookplaat met vet of olie kan gevaarlijk zijn en brand veroorzaken.
- Frituren moet altijd onder toezicht gebeuren om te voorkomen dat de olie oververhit raakt en vlam vat.
- **⚠ WAARSCHUWING:** Het kookproces moet onder toezicht staan. Een kookproces van korte duur moet constant onder toezicht staan.
- Probeer NOOIT om vlammen met water te blussen. In plaats daarvan moet het product worden uitgeschakeld en moeten de vlammen gedoofd worden met, bijvoorbeeld, een deksel of een blusdeken.
- Om het morsen van vloeistoffen te voorkomen moet, voor het koken of verwarmen van vloeistoffen, de warmtetoevoer beperkt worden.
- Laat de verwarmingselementen niet ingeschakeld met lege pannen of potten, of zonder pannen.
- Warm nooit een blikje met voedingsmiddelen op zonder het eerst te openen: het zou kunnen ontploffen! Deze waarschuwing geldt ook voor alle andere soorten kookplaten.
- Na beëindiging van het kookproces moet de betreffende kookzone worden uitgeschakeld.
- Het product mag niet door een externe timer of een afzonderlijk systeem voor afstandsbediening in bedrijf worden gesteld.
- Gebruik geen stoomreinigers: risico op elektrische schokken.
- Voordat er werkzaamheden voor reiniging of onderhoud worden uitgevoerd, moet het product worden losgekoppeld

- van het elektriciteitsnet door de stekker uit het stopcontact te verwijderen of de hoofdschakelaar van de woning op uit te zetten.
- De reiniging en het onderhoud mogen niet worden uitgevoerd door kinderen zonder dat ze onder toezicht staan.
  - Het product moet zowel aan de binnen- als de buitenkant regelmatig worden gereinigd (TEN MINSTE EENMAAL PER MAAND); neem daarbij in ieder geval de uitdrukkelijk aangegeven onderhoudsvoorschriften in acht.
  - Voor personen met pacemakers en actieve implantaten is het belangrijk om, voorafgaand aan het gebruik van de inductiekookplaat, te controleren of uw stimulator compatibel is met het product.
  - **⚠ WAARSCHUWING:** Als het oppervlak gebarsten is, schakel het apparaat dan uit om de mogelijkheid op elektrische schokken te voorkomen. Als het apparaat rechtstreeks op de voeding is aangesloten door middel van een aansluitdoos, verwijder dan de zekering om het van de voeding los te koppelen. Neem in ieder geval contact op met het erkende servicecentrum.
  - Brandgevaar: plaats geen voorwerpen op de kookoppervlakken.
  - Plaats geen metalen voorwerpen zoals messen, vorken, lepels en deksels op het oppervlak van de kookplaat omdat ze oververhit zouden kunnen raken.
  - Belangrijk: Schakel de kookplaat na gebruik uit door middel van het bedieningspaneel en vertrouw daarbij niet op de pan-detector.
  - Gebruik bij het koken nooit vellen aluminiumfolie en plaats met aluminium verpakte producten nooit rechtstreeks op het product. Aluminium zou kunnen smelten en uw product onherstelbaar beschadigen.
  - Het gebruik van een hoog vermogen, zoals de functie Booster, is niet geschikt voor het verwarmen van bepaalde vloeistoffen, zoals bijvoorbeeld bakolie. De overmatige hitte zou gevaarlijk kunnen zijn. In dit geval raden wij het gebruik van een lager vermogen aan.
  - De pannen moeten rechtstreeks op de kookplaat en in het midden van de kookzones worden geplaatst. Plaats in geen geval andere voorwerpen tussen de pan en de kookplaat.
  - In geval van hoge temperaturen, vermindert het product automatisch het vermogensniveau van de kookzones.
  - **⚠ WAARSCHUWING!** Tijdens de werking van de kookplaat kunnen de toegankelijke delen van het apparaat heet worden.
  - De niet-naleving van de normen voor reiniging van het product en voor de vervanging en reiniging van de filters vormt een gevaar voor brand.
  - Flamberen is ten strengste verboden.
  - Het gebruik van open vuur is schadelijk voor de filters, vormt een gevaar voor brand en moet derhalve altijd vermeden worden.
  - Als het product gelijktijdig wordt gebruikt met andere apparaten die gas of andere brandstoffen verbranden, moet de ruimte beschikken over een voldoende ventilatie.
  - Voor wat betreft de toe te passen technische en veiligheidsmaatregelen voor de afvoer van de dampen moet de regelgeving van de plaatselijke bevoegde instanties strikt in acht worden genomen.
  - De aangezogen lucht mag niet in een kanaal geleid worden dat ook gebruikt wordt voor het afvoeren van rookgassen van apparaten die functioneren op gas of andere brandstoffen.
  - Gebruik het product nooit zonder het correct gemonteerde rooster!

## Installatie

**Zowel het elektrische systeem als de installatie moeten worden uitgevoerd door een gekwalificeerde elektricien.**

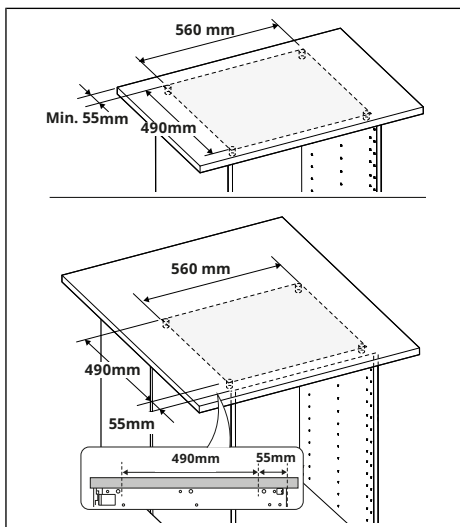
### Voordat u begint met de installatie:

Controleer na het uitpakken van het product dat het tijdens het transport niet beschadigd is en neem in geval van problemen contact op met de klantenservice, voordat u verder gaat met de installatie; Controleer of het gekochte product de juiste afmetingen heeft voor het gekozen installatiegebied; Controleer dat er in de verpakking (om transportredenen) geen bijgeleverd materiaal meer aanwezig is (zakje met schroeven, garanticertificaat, enz). Verwijder ze en bewaar ze op een veilige plaats.

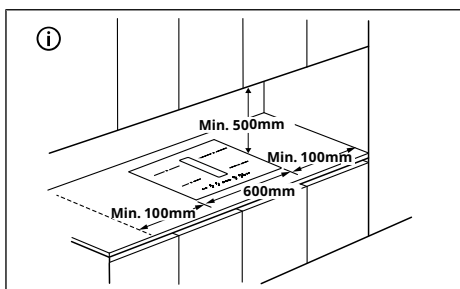
Het apparaat is bedoeld voor inbouw in het keukenblad, boven een kastje met een breedte gelijk aan of groter dan 600 mm.

**Vorbereiding van het kastje voor de inbouw:** het product kan niet worden geïnstalleerd op apparatuur voor koeling, vaatwassers, fornuizen, ovens, wasmachines en drogers; verricht alle werkzaamheden voor zaken van het kastje voordat de kookplaat wordt geplaatst en verwijder alle houtkrullen en zaagsel zorgvuldig.

- De minimale afstand tussen de kookplaat en de muur moet ten minste 55mm bedragen, aan de zijkant minimaal 100mm en ten minste 500mm tot de bovenste kastjes.



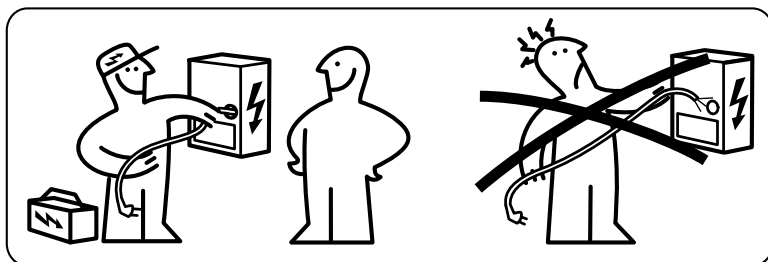
- NB: bij het plannen van de ruimtes moeten de aanwijzingen van de keukenfabrikant worden gevolgd.



- Om de installatie van het filtratiesysteem te voltooien, moet verwezen worden naar de kanalisatieset NYTTIG.

**⚠ WAARSCHUWING:** Als schroeven en bevestigingselementen niet in overeenstemming met deze aanwijzingen worden geïnstalleerd, kan dit leiden tot risico's van elektrische aard.

## Elektrische aansluiting

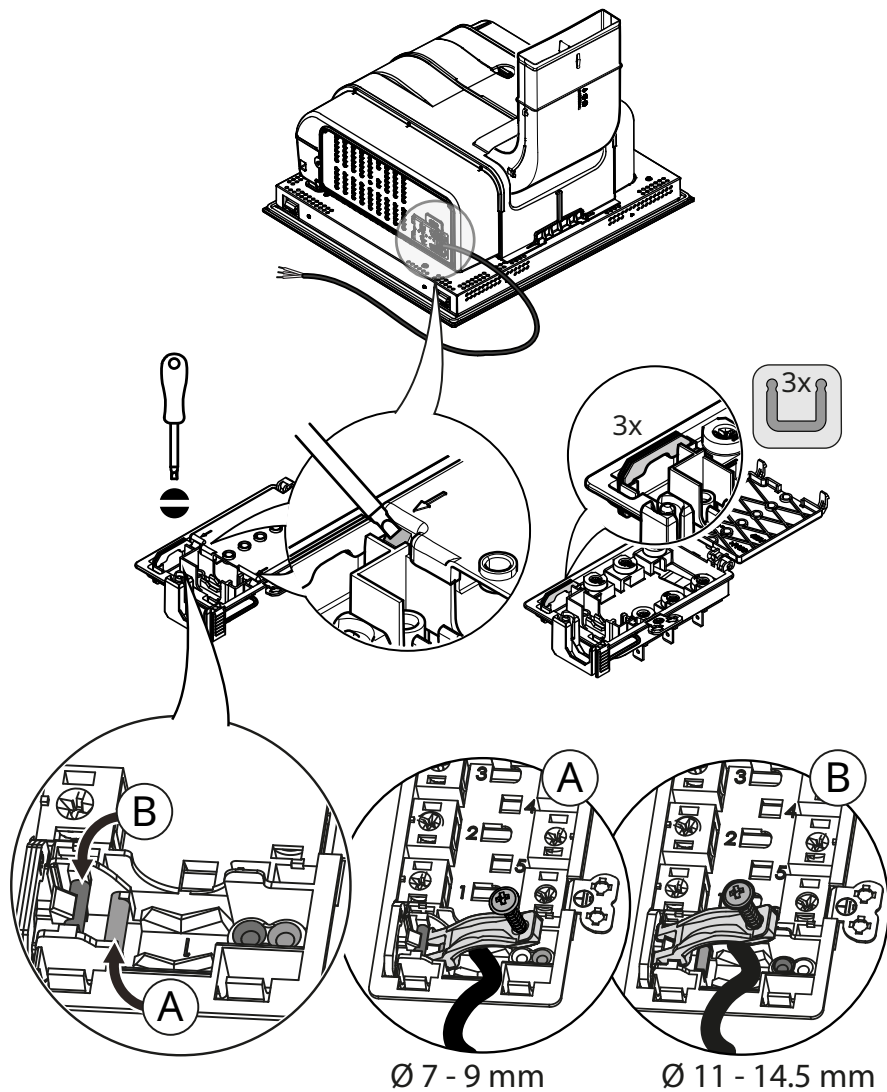


- **⚠ WAARSCHUWING:** Alle elektrische aansluitingen moeten worden uitgevoerd door een geautoriseerde installateur. Controleer of de spanning aangegeven op het typeplaatje van het product overeenkomt met het elektriciteitsnet.
- **⚠ WAARSCHUWING:** Voer geen soldeerwerkzaamheden uit aan de kabel!
- **⚠ WAARSCHUWING:** Koppel het product tijdens de installatie los van het elektriciteitsnet.
- De fabrikant wijst alle aansprakelijkheid af voor letsel aan personen of dieren en voor materiële schade die het gevolg zijn van de niet-naleving van de in dit hoofdstuk beschreven richtlijnen.
- De aarding van het product is wettelijk verplicht.
- De voedingskabel moet lang genoeg zijn om de aansluiting van het in het meubel ingebouwde product op het elektriciteitsnet toe te staan.
- De voedingskabel moet voldoende lang zijn om de kookplaat van het werkblad te kunnen verwijderen.
- Gebruik geen stekkerdozen of verlengsnoeren.
- Verzeker u ervan dat de spanning aangegeven op het typeplaatje op de onderzijde het product overeenkomt met die van de woning waar het product geïnstalleerd zal worden.
- De elektrische aardgeleider moet 2 cm langer zijn dan de andere geleiders.
- Op geen enkel punt van de kabel mag de temperatuur 50°C hoger zijn dan de omgevingstemperatuur.
- Het product is bestemd om permanent aangesloten te worden op het elektriciteitsnet. Om deze reden moet de vaste verbinding met het elektriciteitsnet gebeuren door middel van een meerpolige schakelaar die voldoet aan de installatievoorschriften, die een volledige loskoppeling van het netwerk garandeert onder de omstandigheden van overspanningscategorie III, en die na de installatie gemakkelijk bereikbaar moet zijn.
- Na de voltooiing van de installatie mogen de elektrische onderdelen niet meer bereikbaar zijn voor de gebruiker.
- **⚠ WAARSCHUWING:** Sluit het product niet aan op het elektriciteitsnet tot de installatie geheel voltooid is.
- Alvorens het product op het elektriciteitsnet aan te sluiten: controleer het typeplaatje (op de onderkant van het product) om er zeker van te zijn dat de spanning en het vermogen overeenkomen met die van het elektriciteitsnet en controleer of het stopcontact geschikt is. Neem in geval van twijfel contact op met een gekwalificeerde elektricien.
- Dit apparaat vereist een voedingskabel van het type H05V2V2-F. De kabel moet de verplichte kabelmantels hebben. Gebruik, in overeenstemming met de IEC-normen, voor de eenfasige aansluiting: 3 x 4 mm<sup>2</sup> netwerkkabel en voor meerfasige aansluiting: 4 of 5 x 2,5 mm<sup>2</sup> netwerkkabel.

kabel. Buitendiameter kabel: min 8 mm - max 12 mm. Gelieve de specifieke nationale regelgeving in acht te nemen.

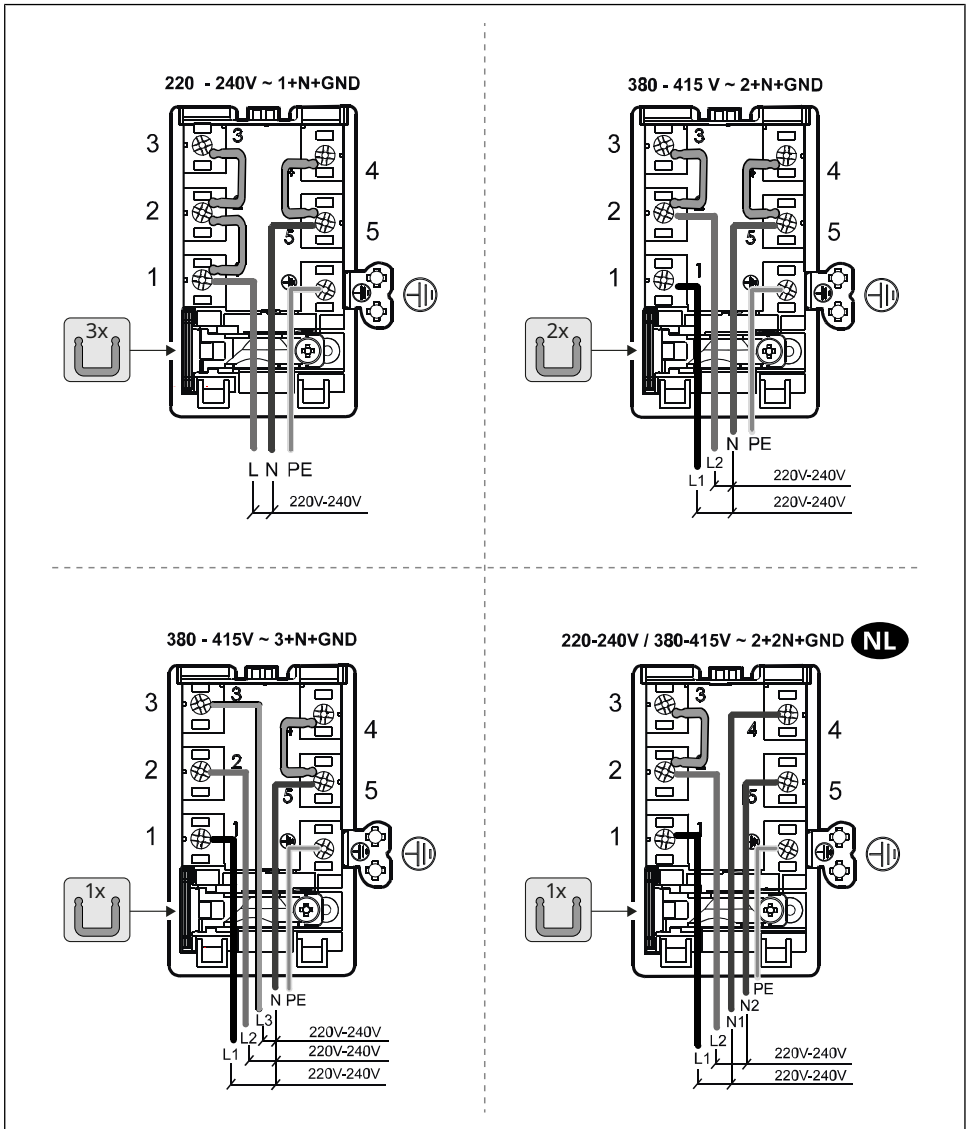
- Het apparaat is niet voorzien van een netsnoer. Schaf het juiste snoer aan bij een speciaalzaak.
- Sluit het apparaat aan zoals aangegeven op het schema (in overeenstemming met de nationaal geldende referentienormen voor netspanning).
- Neem het schakelschema in acht (aangebracht op de onderkant van het product).
- Als het netsnoer beschadigd is, moet het, om gevaren te voorkomen, worden vervangen door gekwalificeerd personeel.
-  Neem in geval van schade contact op met een gekwalificeerde electricien.
-  **WAARSCHUWING:** Voordat het circuit weer op de netvoeding wordt aangesloten en de correcte werking ervan wordt gecontroleerd, moet altijd gecontroleerd worden of het netsnoer correct gemonteerd is.





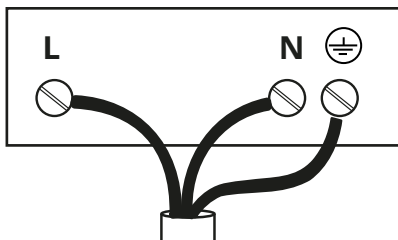
Schema voor aansluiting kabel

Plaats de bruggen  tussen de schroeven zoals afgebeeld:

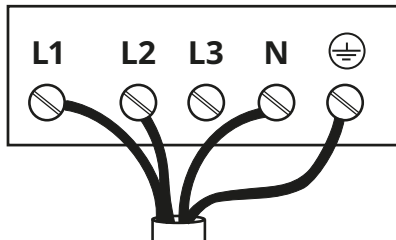


Schema voor aansluiting zijde woning

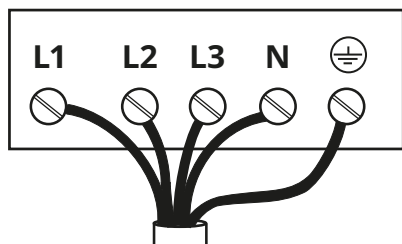
**1** 220V - 240V 1N ~



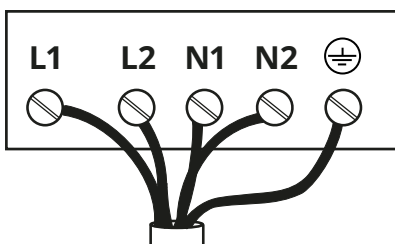
**2** 380V - 415V 2N ~



**3** 380V - 415V 3N ~



**4** 230V/400V 2N ~ **NL**



1	L	Bruin
	N	Blauw
	⊕	Geel/Groen

<b>NL</b> 4	L1	Zwart
	L2	Bruin
	N1	Blauw
	N2	Blauw
	⊕	Geel/Groen

2	L1	Zwart
	L2	Bruin
	N	Blauw
	⊕	Geel/Groen

3	L1	Zwart
	L2	Bruin
	L3	Grijs
	N	Blauw
	⊕	Geel/Groen

## Adviezen voor het behoud van het milieu

### Het verpakkingsmateriaal

De verpakking is 100% recyclebaar en is

voorzien van het recyclingsymbool 

De verschillende delen van de verpakking mogen daarom niet in het milieu terecht komen, maar moeten worden verwijderd in overeenstemming met de door de voorschriften die zijn vastgesteld door de plaatselijke autoriteiten.

Het op het product of op de begeleidende

 papieren aangegeven symbool  geeft aan dat dit product niet behandeld mag worden als huishoudelijk afval, maar ingeleverd moet worden bij een erkend inzamelpunt voor de recycling van elektrische en elektronische apparaten.

### Energiebesparing

- Gebruik potten en pannen met een diameter van de bodem die gelijk is aan die van de kookzone;
- Gebruik uitsluitend pannen en potten met een platte bodem;
- Indien mogelijk moeten de deksels tijdens het kookproces op de pannen geplaatst blijven;
- Bereid groenten, aardappelen, enz. met een kleine hoeveelheid water om de bereidingstijd te beperken;
- Het gebruik van een snelkookpan vermindert nog verder het energieverbruik en de bereidingstijd;
- Plaats de pan in het midden van de op de plaat aangegeven kookzone.

## Suggesties voor gebruik

Suggesties voor een correct gebruik om de milieu-impact te verminderen: Wanneer u begint te koken, schakel het apparaat dan in met de minimale snelheid en laat hem ook na het einde van de bereiding nog enkele minuten ingeschakeld. Verhoog de snelheid alleen in geval van een grote hoeveelheid stoom en rook en gebruik de functie booster alleen in extreme gevallen. Om het systeem voor de geurbeperving

efficiënt te behouden moet(en), wanneer nodig, het/de koolstoffilter(s) vervangen worden. Om het vetfilter efficiënt te handhaven, moet het, wanneer noodzakelijk, gereinigd worden. Om de efficiëntie te optimaliseren en de geluidsemissies te beperken, moet de in deze handleiding aangegeven maximale diameter voor het leidingensysteem worden gebruikt.

## Gebruik

Het kookstelsel op inductie is gebaseerd op het fysische verschijnsel van magnetische inductie. De voornaamste eigenschap van dit systeem is de directe overdracht van energie van de generator naar de pan.

**Voordelen:** In vergelijking met elektrische kookplaten is uw inductiekookplaat:

**Veiliger:** lagere temperatuur op het glazen

oppervlak. **Sneller:** kortere

verwarmingstijden van het voedsel.

**Nauwkeuriger:** de kookplaat reageert onmiddellijk op uw opdrachten. **Efficiënter:** 90% van de geabsorbeerde energie wordt omgezet in warmte. Bovendien wordt de warmteoverdracht onmiddellijk onderbroken zodra de pan van de kookplaat verwijderd wordt en wordt zo onnodig warmteverlies voorkomen.

## Reiniging en onderhoud

**⚠ WAARSCHUWING:** Controleer voorafgaand op elke handeling voor reiniging of onderhoud of de kookzones uitgeschakeld zijn en of de warmte-indicator verdwenen is.

### Reiniging van de inductiekookplaat

De kookplaat moet na ieder gebruik gereinigd worden.

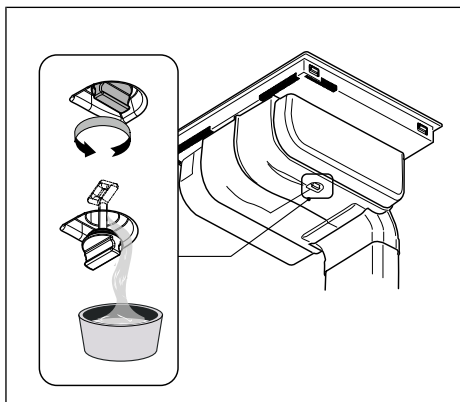
#### Belangrijk:

- Gebruik geen schuursponsjes of metalen sponsjes. Deze zouden na verloop van tijd het glas kunnen beschadigen.
- Gebruik geen chemische en irriterende reinigingsmiddelen, zoals ovensprays of vlekkenmiddelen.
- **GEEN STOOMREINIGER GEBRUIKEN!!!**

Na elk gebruik de kookplaat af laten koelen en reinigen om aangekoekt vuil en vlekken van gemorst voedsel te verwijderen. Suiker of levensmiddelen met een hoog suikergehalte beschadigen de kookplaat en moeten onmiddellijk worden verwijderd. Zout, suiker en zand kunnen krassen veroorzaken op het glazen oppervlak. Gebruik een zachte doek, absorberend keukenpapier of specifieke producten voor het reinigen van de kookplaat (volg de aanwijzingen van de fabrikant).

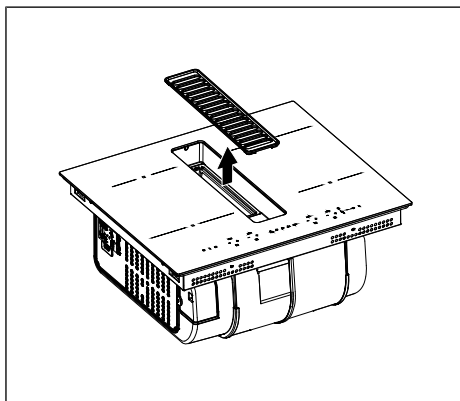
### Reiniging van de opvangbak vloeistoffen

In geval dat er per ongeluk en overvloedig vloeistof uit de pannen wordt gemorst, is het mogelijk om de afvoerlepel aan de onderkant van het product te gebruiken om eventuele resten te verwijderen en zo een maximale hygiënische veiligheid te garanderen.



### Reiniging van het ventilatierooster

Het rooster moet met de hand gewassen worden, met warm water, een mild reinigingsmiddel en niet-schurende sponsjes, om bekrassen en schade aan de esthetische afwerking te voorkomen.



### Reiniging van de afzuiger

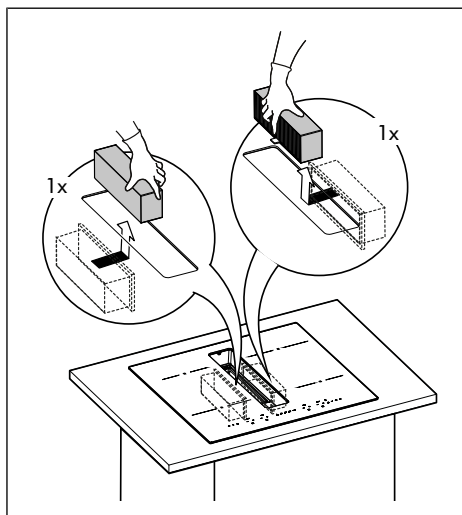
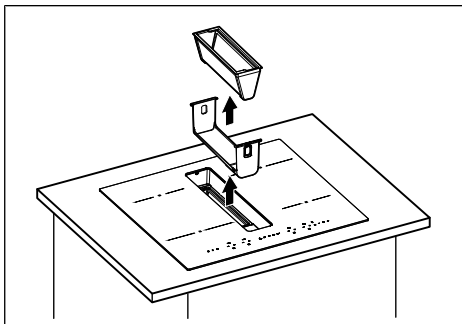
Gebruik voor de reiniging **UITSLUITEND** een met neutrale reinigingsmiddelen bevochtigde doek.

**GEEN GEREEDSCHAP OF INSTRUMENTEN GEBRUIKEN VOOR DE REINIGING!**

Vermijd het gebruik van producten die schurende stoffen bevatten. **GEEN ALCOHOL GEBRUIKEN!**

**Onderhoud vetfilters:****Verzamelt de door het koken vrijgegeven vetdeeltjes.**

Moet eenmaal per maand gereinigd worden (of wanneer het systeem voor de aanduiding van de verzadiging van de filters dit vereist) met niet-agressieve reinigingsmiddelen, met de hand of in de vaatwasser met lage temperaturen en de korte cyclus. Het kan gebeuren dat het wassen in de vaatwasser het metalen vetfilter verkleurt maar de filter-eigenschappen zullen absoluut niet wijzigen.

**Onderhoud niet-regeneerbaar actief koolfilter (alleen voor filterversie):**

Vangt de onaangename geuren die tijdens de bereiding vrijkomen op. Het product is uitgerust met een set geurfilters.

De verzadiging van de geurfilters treedt op na een meer of minder lang gebruik, afhankelijk van het soort bereiding en de regelmaat van de reiniging van het vetfilter.

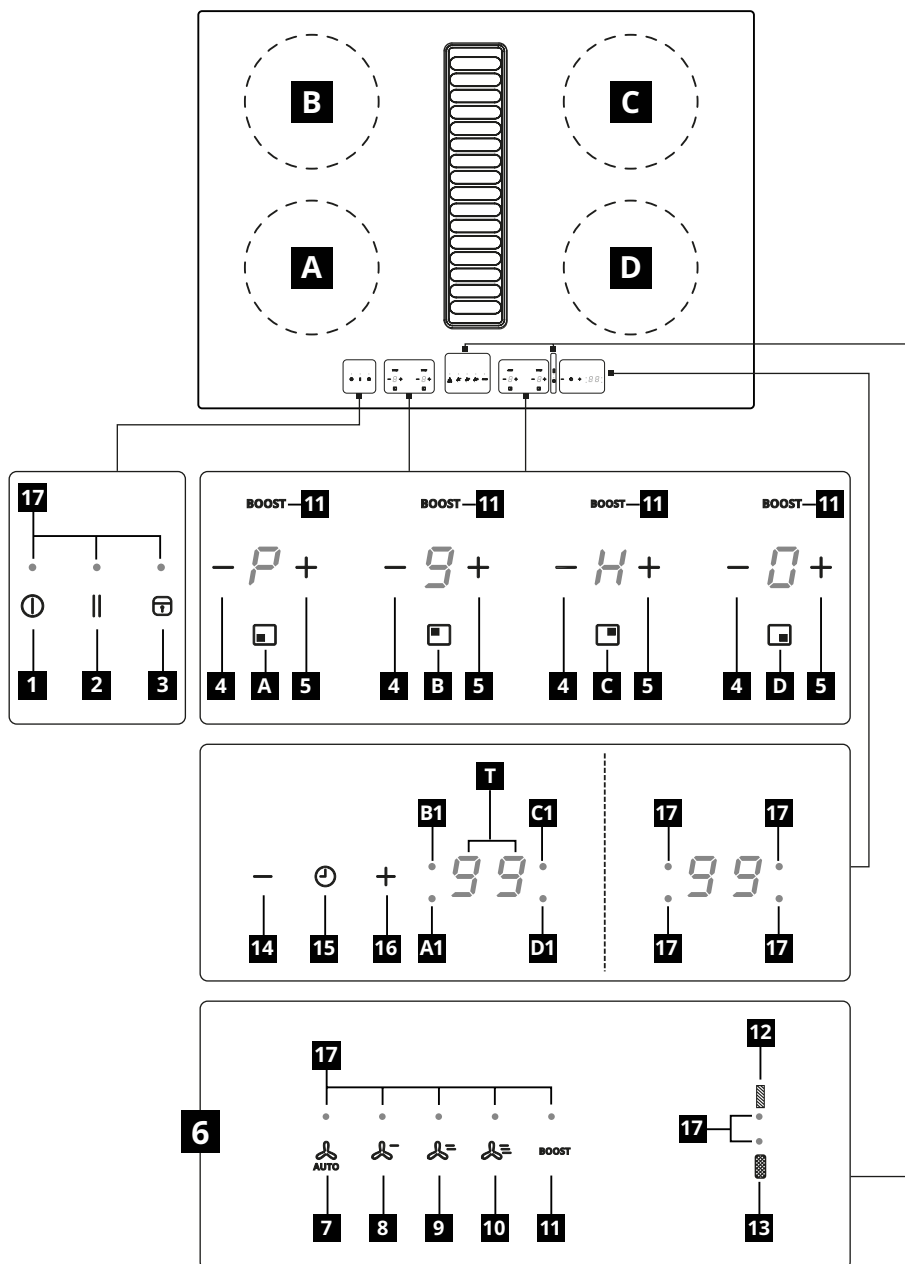
Wanneer het lampje "**verzadiging actieve koolfilters**" gaat branden, moeten de filters worden vervangen. Ze kunnen NIET gewassen of geregeneerd worden.

## Beschrijving van het product

The diagram shows a cooktop with six burners arranged in two rows of three. The burners are labeled A, B, C, and D. Burner A is the largest, followed by C, B, and D. Burner E is the control panel located below the burners. Burner F is the extractor hood located above the burners.

<b>A</b>	Kookzone (diameter 220 mm) 2300 W met 3000W boosterfunctie
<b>B</b>	Kookzone (diameter 160 mm) 1200 W met 1400W boosterfunctie
<b>C</b>	Kookzone (diameter 220 mm) 2300 W met 3000W boosterfunctie
<b>D</b>	Kookzone (diameter 160 mm) 1200 W met 1400W boosterfunctie
<b>E</b>	Bedieningspaneel
<b>F</b>	Afzuiger

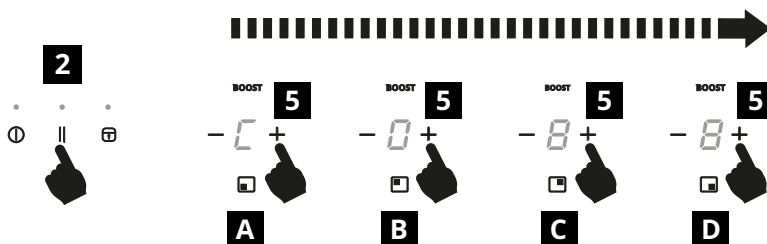
Bedieningspaneel





<b>Funcities</b>	
<b>1</b>	Toets ON/OFF van de kookplaat / afzuiger van de kookplaat
<b>2</b>	Toets functie Pauze
<b>3</b>	Toets functie Veiligheidsvergrendeling "Cleaning Mode (modus reiniging)" - "Child Lock (kinderslot)"
<b>A - B - C - D</b>	Indicator positie van de kookzone
<b>4</b>	Toets - (verlaagt het vermogensniveau van de kookplaat)
<b>5</b>	Toets + (verhoogt het vermogensniveau van de kookplaat)
<b>6</b>	Toetsen functie Afzuiger
<b>7</b>	Toets functie Automatische afzuiger
<b>8</b>	Toets ON/OFF Afzuiger en Eerste snelheid.
<b>9</b>	Toets ON/OFF Afzuiger en Tweede snelheid
<b>10</b>	Toets ON/OFF Afzuiger en Derde snelheid
<b>11</b>	Toets Booster (duur 5 minuten, keert vervolgens terug naar het vermogensniveau 9 voor de kookplaat of de derde snelheid van de afzuiger)
<b>12</b>	Indicator verzadiging vetfilter (na 40 uur gebruik)
<b>13</b>	Indicator verzadiging koolstoffilter (na 160 uur gebruik)
<b>14</b>	Toets - Timer
<b>15</b>	Toets ON/OFF Timer
<b>16</b>	Toets Timer +
<b>A1-B1-C1-D1</b>	Indicator positie van de kookzone A1-B1-C1-D1
<b>T</b>	De Tijd van de Timer kan worden ingesteld tussen 1 en 99 minuten
<b>17</b>	Leds die de actieve geselecteerde functies aangeven

## Vermogensbeperking



### - Vermogensbeperking (Power limitation)

Wanneer het apparaat voor de eerste keer wordt aangesloten op het elektriciteitsnet van de woning, moet de installateur het vermogen van de kookzones instellen op basis van de werkelijke capaciteit van het elektrische systeem van de woning (als het apparaat al op het elektriciteitsnet van de woning was aangesloten, volstaat het om het los te koppelen en weer aan te sluiten). Als dit niet nodig is, kunt u de kookplaat rechtstreeks inschakelen met de toets **ON/OFF (1)** of, als alternatief, kan de hieronder beschreven procedure gebruikt worden om het menu te openen.

De procedure voor openen van het menu moet binnen een beperkte tijdsinterval gebeuren.

Als u er, na de aansluiting van het apparaat op het elektriciteitsnet, niet in slaagt om het menu binnen de voorziene tijd te openen, moet het apparaat van het elektriciteitsnet worden losgekoppeld en opnieuw worden aangesloten.

Ga voor de configuratie van het product als volgt te werk:

1. Sluit de kookplaat aan op het elektriciteitsnet van de woning.
2. Houd de toets **Pauze (2)** ingedrukt en druk dan, op volgorde en van links naar rechts op de toetsen **+** (5) van de indicatoren van de kookzones **A-B-C-D**; bij elke druk op de toets **+** (5) klinkt er een kort geluidssignaal. Nadat er op alle toetsen van de indicatoren is gedrukt, kan de toets **Pauze (2)** worden losgelaten.

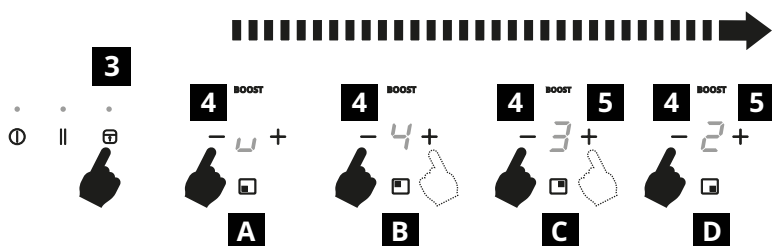
3. Op het display van de kookzone (**A**) verschijnt een **"C"** en op het display van de kookzone (**B**) verschijnt een **"0"**; druk op de toets **+** (5) van de kookzone (**B**), tot op het display van de kookzone (**B**) een **"7"** verschijnt.

4. Op dit moment wordt het menu geopend voor de instelling van het vermogen op basis van de belasting van het elektriciteitsnet van uw woning. Druk op de **+ toets (5)** van de kookzone (**C**): op het display wordt een **"0"** weergegeven; blijf drukken tot de gewenste waarde wordt bereikt. Om de vermogenswaarden aan te passen van **"0"** naar **"6"** (zie onderstaande tabel) moet gedrukt worden op de toetsen **+** (5) of **- (4)**.

5. Om te bevestigen, moet de toets **Pauze (2)** 2 seconden ingedrukt worden gehouden.

Code	Maximaal vermogen Watt
0	7400 W
1	6000 W
2	5000 W
3	4000 W
4	3500 W
5	3000 W
6	2500 W

## Personalisatie van het gebruikersmenu



Verricht voor de configuratie van het product de volgende handelingen:

1. Sluit de kookplaat aan op het elektriciteitsnet van de woning.
2. Houd de toets **Vergrendeling (3)** ingedrukt en druk dan op volgorde van **links** naar **rechts** op de toetsen - **(4)** van de indicatoren van de kookzones **A-B-C-D**; elke keer dat er op de toets - **(4)** wordt gedrukt, klinkt er een kort geluidssignaal. Nadat er op alle toetsen van de indicatoren is gedrukt, kan de toets **Vergrendeling (3)** worden losgelaten.

3. Op het display van de kookzone **(A)** verschijnt een **"U"** en op het display van de kookzone **(B)** verschijnt er een cijfer van **"0"** tot **"4"** dat de code van het menu aangeeft (zie de onderstaande tabel).
4. Gebruik de toetsen + **(5)** of - **(4)** van de kookzone **(B)** om de code van het menu aan te passen of te wijzigen.
5. Gebruik voor de aanpassing van de waarden van het menu de toetsen + **(5)** of - **(4)** van de kookzone **(C)**.
6. Bevestig door de toets **Vergrendeling (3)** 2 seconden ingedrukt te houden.

Code menu	Beschrijving	Waarde
U0	Menu instelling Filters	0 - Off (Uit) 1 - Alleen actieve koolfilters 2 - Alleen vetfilter 3 - Beide filters actief (standaard instelling)
U1	Menu voor beheer volume geluidssignaal.	0 - Off (Uit) 1 - Laag 2 - Gemiddeld 3 - Hoog (standaard instelling) Opgelet! Bepaalde geluiden kunnen niet uitgeschakeld worden en worden derhalve bij instelling op 0 met volume Laag weergegeven.
U2	Modus automatisch ON/OFF afzuiger	0 - Functie activeert niet de inschakeling. 1 - Functie activeert de inschakeling (standaard instelling)
U3	Functie kinderslot bij inschakeling	0 - Functie niet geactiveerd bij de inschakeling (standaard instelling) 1 - Functie geactiveerd bij de inschakeling.
U4	Menu duur Timer	0 - 60 seconden 1 - 30 seconden (standaard instelling)

		2 - 10 seconden
		3 - 0 seconden

## Dagelijks gebruik

### Wat moet u weten voordat u begint

Alle functies van deze kookplaat zijn ontworpen in overeenstemming de strengste veiligheidsnormen.


#### Derhalve:

- Bepaalde functies worden niet geactiveerd of worden automatisch uitgeschakeld als er geen pannen op de kookzones aanwezig zijn of als ze niet goed zijn geplaatst.

- In andere gevallen worden de geactiveerde functies na enkele seconden automatisch uitgeschakeld wanneer de geselecteerde functie een instelling behoeft die echter niet wordt ingevoerd (bijv.: "Schakel de kookplaat in" zonder "Selecteer de kookzone" en het "Vermogensniveau", of de "Functie Lock" of "Timer").


Wacht tot het display uit gaat alvorens de kookzone te benaderen.

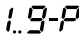




**Opgelet!** In geval van (bijvoorbeeld) een langdurig gebruik, zou de uitschakeling van de kookzone niet onmiddellijk kunnen plaatsvinden omdat de koelfase wordt uitgevoerd; op het display van de

kookzones verschijnt het symbool  om aan te geven dat deze fase wordt uitgevoerd. Wacht tot het display uit gaat alvorens de kookzone te benaderen.

### Display kookzone

op de displays van de kookzones wordt het volgende weergegeven:

Functie	Waarde
Kookzone ingeschakeld	

Functie	Waarde
Vermogensniveau (Power Level)	
Indicator restwarmte (Residual Heat Indicator)	
Veiligheidsvergrendeling (Cleaning Mode-Child Lock)	
Indicator afwezigheid pannen (No Pot indicator)	
Functie Pauze	

### Veilige activering (Safe Activation).

Het product wordt alleen geactiveerd in aanwezigheid van pannen op de kookzones: het verwarmingsproces wordt niet geactiveerd, of wordt onderbroken in geval van afwezigheid of verwijdering van de pannen.

Als de pan tijdens de werking wordt weggenomen, of als er een ongeschikte pan wordt gebruikt, zal het display naast het staafdiagram knipperen met het

symbool .

### Noodstop (Safety Shut Down).

Om veiligheidsredenen heeft elke kookzone een maximale werkingsduur, afhankelijk van het ingestelde vermogensniveau.

Kookniveau	Maximale duur (min)
1	516
2	402
3	318
4	258


Kookniveau	Maximale duur (min)
5	210
6	138
7	138
8	108
9	90

### Automatische uitschakeling (Automatic Switch Off).

De automatische uitschakeling vindt plaats in de omstandigheden waarin het product is ingeschakeld, maar er geen enkele actieve functie is.

### Indicator restwarmte (Residual Heat Indicator).

De indicator van de restwarmte is een veiligheidsfunctie die waarschuwt dat het oppervlak van de kookzone nog warm is, met een temperatuur gelijk aan of hoger dan 45°C, die dus bij aanraking met de blote hand voor brandwonden kan zorgen. Het display van de overeenkomstige

kookzone toont .

### - Werking van de kookplaat

Opmerking: Om een functie te activeren, moet eerst de gewenste zone geactiveerd worden.

### - Vermogensniveau (Power Level)

De kookplaat heeft **9** vermogensniveaus. Om het gewenste vermogensniveau in te stellen, moet er geselecteerd wrden met de toetsen + **(5)** of - **(4)**.

### - Inschakeling (1)

Druk op de toets **ON/OFF (1)** om de kookplaat en de afzuiger in te schakelen. Alle displays **(A-B-C-D)** tonen gedurende ongeveer 20 seconden een continu weergegeven **0**. Als er binnen deze tijd geen handeling wordt verricht, wordt de kookplaat uitgeschakeld.

- Selecteer de gewenste kookzone en stel het vermogensniveau in met de toetsen + **(5)** en - **(4)**.

- Als het vermogensniveau is ingesteld op **0** en de toets - **(4)** wordt geselecteerd, wordt direct overgegaan naar **9**.

- Als het vermogensniveau is ingesteld op **9** en de toets + **(5)** wordt geselecteerd, wordt direct overgegaan naar **0**.

- Door de toetsen + **(5)** of - **(4)** ingedrukt te houden, wordt het vermogensniveau snel verhoogt/verlaagt en wordt de selectie gestopt bij het bereiken van **0** of **9**.

Houd gedurende 1 seconde gelijktijdig de toetsen + **(5)** en - **(4)** ingedrukt om de kookzone uit te schakelen.

### - Power Booster (11)

Het product is uitgerust met een **Boostersysteem** door middel waarvan de kooktijden versneld kunnen worden door gedurende een bepaalde tijd een vermogen toe te passen dat hoger is dan het nominale vermogen.

- Voor deze functie moet de betreffende kookzone worden ingeschakeld, om vervolgens de toets **Booster (11)** ingedrukt te houden; op het display verschijnt de letter **P**.

- De functie **Booster** blijft 5 minuten actief, waarna de bereiding wordt voortgezet met niveau **9**.

- Door te drukken op + **(5)** of - **(4)** of "**Booster**" wordt de functie uitgeschakeld. De functie **Booster** wordt mogelijk niet geactiveerd in geval van een te hoge temperatuur.

### - Veiligheidsvoorzieningen (vergrendeling (3))

De toets voor vergrendeling **(3)** voorkomt een onbedoelde werking van de kookplaat en van de afzuiger.

Deze toets kan gebruikt worden wanneer de kookplaat tijdens het koken moet worden schoongemaakt (**Cleaning Mode**), of om toegang tot de kookplaat/afzuiger door kinderen of personen die toezicht behoeven te voorkomen (**Child Lock**).

- De kookplaat kan worden ingeschakeld, maar er kan geen kookzone geselecteerd worden.

- Het status van het systeem voor veiligheidsvergrendeling **(3)** wordt in het geheugen bewaard, ook wanneer de kookplaat wordt uitgeschakeld of de elektriciteitsvoorziening wordt onderbroken; deze functie is alleen actief voor het kinderslot **(Child Lock)**.

- Als de kookplaat is ingeschakeld en de veiligheidsvergrendeling actief is, zal de toets **ON/OFF** nog steeds functioneren.

### - Modus reiniging **(3)** (Cleaning Mode)

Vergrendelt de instellingen van de kookplaat en de afzuiger, om onbedoelde handelingen te voorkomen, **terwijl de reeds ingestelde functies actief blijven**.

- Druk voor de activering van de functie op de vergrendelingstoets **(3)**: de led van de toets gaat branden en er klinkt een geluidssignaal.

- Op de displays van de kookzones wordt gedurende 4 seconden de letter "L" weergegeven.

Als een of meer zones nog heet zijn, worden op de betreffende displays de letters "H" en "L" afgewisseld.

- Om de functie uit te schakelen: houd de toets **(3)** 2 seconden ingedrukt. Er klinkt een geluidssignaal en de overeenkomstige led gaat uit.

### - Kinderslot **(3)** (Child Lock).

**Blokkeert alle niet-actieve functies** en verhindert de onbedoelde werking van de kookplaat/afzuiger door middel van de volgende procedure:

- schakel de kookplaat in (indien uitgeschakeld) met de toets **"ON/OFF" (1)**.

- Houd de toets van de vergrendeling **(3)** 4 seconden ingedrukt; de led van de toets gaat branden, gevolgd door een geluidssignaal.

- Op de displays van de kookzones verschijnt de letter "L" om aan te geven dat de functie actief is.

Als een of meer zones nog heet zijn, worden op de betreffende displays de letters "H" en "L" afgewisseld.

- Houd, om de functie te deactiveren, de toets **(3)** 4 seconden ingedrukt; de letter "L" wordt niet langer op het display weergegeven, de led van de toets gaat uit en er klinkt een geluidssignaal.

### - Functie Pauze **(2)**

Met deze functie kunnen alle op de kookplaat actieve functies **gepauzeerd** worden en wordt het vermogen van de kookzone(s) naar niveau 1 verlaagd.

Druk voor de activering van deze functie op de toets **(2)**; op het display van de kookzone

verschijnt het symbool ' ' om aan te geven dat de functie actief is.

Bij ingestelde functie Pauze, zullen de actieve timers blijven functioneren.

Als de functie Pauze **(2)** niet binnen 10 minuten wordt gedeactiveerd, wordt de kookplaat automatisch uitgeschakeld.

Druk nogmaals op de toets **Pauze (2)** om de functie te deactiveren.

Na de deactivering van de Pauze, hervat de kookzone de werking met het eerder geselecteerde niveau.

Elke handeling gaat gepaard met een "PIEP"-toon.

### - Timer **(15)**

Door middel van deze functie kan er een tijd worden ingesteld (tussen 1 en 99 minuten) voor de automatische uitschakeling van de geselecteerde kookzone.

De timer kan op alle kookzones worden geactiveerd.

- Door te drukken op de toets Timer**(15)** wordt er rechtsom gebladerd door de timers van de 4 kookzones **A1-B1-C1-D1**; de kookzones worden aangegeven door de overeenkomstige led **(17)**.

- Gebruik de toetsen **+** **(16)** en **-** **(14)** om de tijd voor uitschakeling van de kookzone aan te passen; wacht dan 5 seconden of druk op de toets Timer **(15)** om te bevestigen.

- De resterende minuten worden weergegeven op het display van de timer.  
 - Er kunnen meerdere timers worden ingesteld, maar alleen de timer die als eerste afloopt wordt weergegeven.  
 Druk op de toets **(15)** om de resterende tijd van elke kookzone te controleren.  
 - Wanneer de timer afloopt, klinkt er een geluidssignaal en wordt de betreffende kookzone uitgeschakeld.

### - Werking van de afzuiger (6)

Om de afzuiger te activeren, moet de kookplaat worden ingeschakeld.

Led **(17)** aan, functie actief.

Led **(17)** uit, functie niet actief.

- Toets **(7)** modus automatische ON/OFF, de ventilatorsnelheid neemt toe of af op basis van de temperatuur van de kookplaat en van het energieverbruik.

- Toets **(8)** ON/OFF Afzuiger en Eerste snelheid.

- Toets **(9)** ON/OFF Afzuiger en Tweede snelheid.

- Toets **(10)** ON/OFF Afzuiger en Derde snelheid.

- Toets **(11)** Booster (duurt 5 minuten en keert dan terug naar de eerder ingestelde snelheid).

**Opgelet!** Als de bereiding wordt gestopt met druk op de toets ON/OFF, blijft de afzuiger nog 5 minuten functioneren bij de eerste snelheid; de led knippert tot aan het verstrijken van de tijd, waarna de afzuiger wordt uitgeschakeld.

### - Indicator verzadiging vetfilter (12)

Wanneer de led brandt, moet het onderhoud van het vetfilter worden uitgevoerd.

- Voor de reset moeten de toetsen 7-8 gedurende 3 seconden ingedrukt worden gehouden. De leds van de toetsen 7-8 knipperen en het geluidssignaal bevestigt de reset (de leds 12-7-8 gaan uit).

### - Indicator verzadiging koolstoffilter (13)

Wanneer de led brandt, moet het onderhoud van het koolstoffilter worden uitgevoerd.

- Voor de reset moeten de toetsen 7-9 gedurende 3 seconden ingedrukt worden gehouden. De leds van de toetsen 7-9 knipperen en het geluidssignaal bevestigt de reset (de leds 13-7-9 gaan uit).

## Functie voor beheer van het vermogen

Dit product is uitgerust met een functie voor de elektronische regeling van het vermogen.

Deze functie regelt de afgifte van het maximale vermogen onder de gebruikte kookzones en optimaliseert de verdeling van het vermogen, waardoor situaties met overbelasting van het systeem worden vermeden.

### Kookplaat bij maximaal

**vermogensniveau:** de functie verdeelt het vermogen over de gebruikte kookzones en vermindert automatisch het vermogen van de andere kookzones, indien nodig (aan de laatste bediening wordt de hoogste prioriteit toegekend).

### Kookplaat met beperking van het

**vermogen:** de functie verdeelt het vermogen onder de kookzones en voorkomt dat er voor de andere kookzones een zodanig vermogen wordt ingesteld dat de limiet wordt overschreden (om het vermogen van een specifieke kookzone te verhogen, moet het vermogen ingesteld voor de andere kookzones handmatig verminderd worden).

### Voorbeeld:

Als voor de kookzone **A** het niveau voor extra vermogen BOOST wordt geselecteerd, kan de kookzone **B** niet

gelijktijdig het vermogensniveau 9  
overschrijden en wordt het vermogen van  
deze zone automatisch beperkt.



## Tabel bereidingen

Vermogensniveau		Type bereiding	Gebruik (gebaseerd op ervaring en kookgewoonten)
Max vermogen	P	Snel verwarmen	in korte tijd de temperatuur van het voedsel verhogen tot een snel kookpunt in geval van water of het snel opwarmen van kookvloeistoffen
	8 - 9	Frituren - koken	aanbraden, beginnen met koken, diepvriesproducten frituren, snel aan de kook brengen
Hoog vermogen	7 - 9	Aanbraden - frituren - koken - grillen	fruiten, aan de kook houden, koken en grillen (voor korte tijd, 5-10 minuten)
	6 - 7	Aanbraden - koken - sudderen - frituren - grillen	fruiten, licht koken, koken en grillen (voor middel-lange duur, 10-20 minuten), voorverwarmen van benodigdheden
Gemiddeld vermogen	4 - 5	Koken - laten sudderen - frituren - grillen	stoven, zachtjes laten koken, koken (langdurig), de pasta omscheppen
	3 - 4	Koken - laten pruttelen - inkoken - omscheppen	langere kooktijd (rijst, sauzen, gebraad, vis) met de bijbehorende vloeistoffen (bijv. water, wijn, bouillon, melk), de pasta omscheppen
	2 - 3	Koken - laten pruttelen - inkoken - omscheppen	langere bereiding (hoeveelheden van minder dan een liter: rijst, sauzen, braadstukken, vis) met de bijbehorende vloeistoffen (bijv. water, wijn, bouillon, melk)
Laag vermogen	1 - 2	Smelten - ontdooien - warm houden - smeugig maken	de boter smelten, de chocolade zachtjes laten smelten, kleine producten ontdooien
	1	Smelten - ontdooien - warm houden - smeugig maken	het warm houden van kleine porties vers gekookt voedsel of het warm houden van klaargemaakte gerechten en risotto's doorroeren
OFF	0	Steunoppervlak	Kookplaat in stand-by of uitgeschakeld (mogelijke aanwezigheid van restwarmte na afloop van de bereiding, aangegeven met H-L-O)

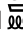
## Instructies voor het gebruik van de pannen

### Welke pannen moeten er gebruikt worden

Gebruik alleen pannen met een bodem van ferromagnetisch materiaal, geschikt voor gebruik op inductiekookplaten:

- gietijzer
- geëmailleerd staal
- koolstofstaal

- roestvrij staal (ook indien niet volledig)
- aluminium met ferromagnetische coating of bodem met ferromagnetische plaat.

Om de geschiktheid van een pan te bepalen, moet gecontroleerd worden op de aanwezigheid van het symbool  (meestal op de bodem). Ook kan een magneet in de buurt van de bodem van de pan gebracht

worden. Als de magneet door de bodem wordt aangetrokken, betekent dit dat de pan op een inductiekookplaat gebruikt kan worden.

Gebruik, om optimale efficiëntie te garanderen, altijd pannen en koekepannen met een vlakke bodem, in staat om de warmte gelijkmatig te verdelen. Een niet perfect vlakke bodem kan van invloed zijn op de geleiding van het vermogen en de warmte.

### Hoe moeten de pannen gebruikt worden

Minimale diameter pan voor de verschillende kookzones Om de goede werking van de kookplaat te garanderen, moet de pan één of meer referentiepunten bedekken, zoals aangegeven op het oppervlak van de kookplaat, en moet hij een geschikte minimale diameter hebben. Gebruik altijd de kookzone die het beste overeenkomt met de diameter van de bodem van de pan.

Kookzone	Diameter bodem pan	
	min. Ø (aanbevolen)	max. Ø (aanbevolen)
Linksachter	110mm	160mm
Linksvoor	120mm	220mm
Rechtsachter	120mm	220mm
Rechtsvoor	110mm	160mm

### Lege pannen of pannen met een dunne bodem

Gebruik geen lege pannen of pannen met een dunne bodem op de kookplaat, omdat u dan niet in staat bent de temperatuur te regelen of de kookzone automatisch uit te laten schakelen in geval van een te hoge temperatuur, met diensteengevolge het risico op beschadiging van de pan of het oppervlak van de kookplaat. Mocht deze situatie zich voordoen, raak dan niets aan en wacht tot alle componenten zijn afgekoeld. Als er een foutmelding verschijnt, verwijs dan naar deel "Gids voor probleemoplossing".

### Tips/suggesties

Geluiden tijdens gebruik Bij de activering van een kookzone kan een kort zoemend geluid worden waargenomen. Dit fenomeen is typisch voor kookzones van glaskeramik en is niet van invloed op de werking of levensduur van het apparaat. Het geluid kan afhankelijk zijn van de gebruikte pan. In geval van harde geluiden, kan het nodig zijn de pan te vervangen.

### Normale geluiden inductiekookplaat

Inductietechnologie is gebaseerd op het creëren van elektromagnetische velden, om direct op de bodem van de pannen warmte te genereren. Afhankelijk van hun productiemethode kunnen pannen en koekepannen kunnen geluiden of trillingen veroorzaken. Deze geluiden kunnen als volgt omschreven worden:

### Licht zoemend geluid (zoals van een transformator)

Dit geluid doet zich voor bij een hoge bereidingstemperatuur. Het geluid is afhankelijk van de hoeveelheid energie die door de kookplaat aan de pan wordt overgedragen. Het geluid stopt of vermindert wanneer het warmteniveau wordt verlaagd.

### Zacht fluitend geluid

Dit geluid doet zich voor wanneer het voor de bereiding gebruikte recipiënt leeg is. Het geluid stopt wanneer u vloeistoffen of voedsel aan het recipiënt toevoegt.

### Krakend geluid

Dit geluid doet zich voor wanneer de pan gemaakt is van meerdere op elkaar gestapelde lagen. Het geluid wordt veroorzaakt door trillingen van de oppervlakken van verschillende materiaal die onderling contact maken. Het geluid wordt geproduceerd door de pan en kan variëren afhankelijk van de hoeveelheid

voedsel of vloeistof en van de gebruikte bereidingsmodus (bijv. koken, langzaam koken, frituren).

### Hard fluitend geluid

Dit geluid doet zich voor wanneer de pan gemaakt is van verschillende materialen, in lagen bovenop elkaar, en wanneer de pan op de kookplaat bij maximaal vermogen wordt gebruikt en ook wanneer hij op twee kookzones wordt gebruikt. Het geluid stopt of vermindert wanneer het warmteniveau wordt verlaagd.

### Deze geluiden zijn normaal Geluiden van de ventilator

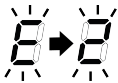
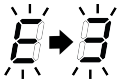
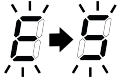
Voor de goede werking van het elektronische systeem moet de temperatuur van de kookplaat geregeld

worden. Hiervoor is de kookplaat uitgerust met een koelventilator die wordt geactiveerd om de temperatuur van het elektronische systeem te verlagen en te regelen. De ventilator kan ook na de uitschakeling van de kookplaat blijven werken als de gedetecteerde temperatuur nog steeds te hoog is.

### Ritmische geluiden, vergelijkbaar met die van de wijzers van een klok.

Dit geluid treedt alleen op wanneer er ten minste drie kookzones in werking zijn en verdwijnt of vermindert wanneer er twee worden uitgeschakeld. Deze geluiden, beschreven als normale verschijnselen van de inductietechnologie, mogen niet als defecten worden beschouwd.

## Problemen oplossen

Identificatiecode	Beschrijving	Mogelijke oorzaken	Oplossing
	Het bedieningspaneel wordt uitgeschakeld vanwege te hoge temperatuur	De interne temperatuur van de elektronische onderdelen is te hoog	Wacht tot de kookplaat is afgekoeld alvorens hem opnieuw te gebruiken
	Ongeschikte pan	Verlies van magnetische eigenschappen	Verwijder de pan
	Communicatieproblemen tussen gebruikersinterface en inductiemodule	De module ontvangt geen elektriciteit; de voedingskabel is niet correct aangesloten of defect	Koppel de kookplaat los van het elektriciteitsnet en controleer de aansluiting
<b>Voor alle andere foutmeldingen</b>	Contact opnemen met de technische servicedienst en de foutcode mededelen		

Controleer, voordat u contact opneemt met de servicedienst, of het mogelijk is om het probleem zelf op te lossen aan de hand van de stappen beschreven onder "Defecten opsporen".

Als de kookplaat ondanks alle controles niet functioneert en het gedetecteerde probleem aanhoudt, neem dan contact op met het Centrum voor Technische Bijstand.

Vermeld:

- het model van de machine (Mod.)
- het serienummer (S/N)

Deze informatie staat aangegeven op het typeplaatje van het apparaat en/of op de verpakking.

**Opgelet! Vermijd om contact op te nemen met onbevoegde technici en weiger altijd het gebruik van niet-originele reserveonderdelen.**

## Technische gegevens

Technische gegevens van de afzuiging van de kookplaat			
		Eenheid	Waarde
Identificatiecode model			<b>TACKNAN 10598635</b>
Type product			INBOUW
Afmetingen	Breedte	mm	600
	Diepte	mm	515
	Hoogte	mm	255
Max luchtdebiet* - Afzuigversie		m3/uur	480
Max geluidsniveau* - Afzuigversie			61
Max luchtdebiet* - Filterversie**			380
Max geluidsniveau* - Filterversie**			68
Nominaal vermogen afzuiging		W	160
Nominaal vermogen kookplaat		W	7240
Maximaal totaal vermogen		W	7400
Energieverbruik	Modus OFF	Wh	0,49
	Stand-by	Wh	n.v.t.
Gewicht van het product		Kg	15,4
Energie-efficiëntie van de afzuiging			
Productinformatie in overeenstemming met de Verordening van de Commissie (EU) nr. 65/2014			
Naam leverancier		<b>IKEA</b>	<b>IKEA</b>
Jaarlijks energieverbruik - AEC		Kwh/jaar	34,5
Energie-efficiëntieklasse			A
Vloeistofdynamische efficiëntie FDE		%	29
Vloeistofdynamische efficiëntieklasse			A
Efficiëntie vetfiltratie - GFE		%	85,1
Efficiëntieklasse voor vetfiltratie			B
Minimaal luchtdebiet (normaal vermogen)		m3/uur	205
Maximaal luchtdebiet (normaal vermogen)		m3/uur	480
Instelling luchtdebiet in de modus Boost		m3/uur	590

A-gewogen geluidsvermogensniveau van geluidsemissies bij minimale snelheid	dB(A)	44	
A-gewogen geluidsvermogensniveau van geluidsemissies bij maximale snelheid	dB(A)	61	
A-gewogen geluidsvermogensniveau van geluidsemissies in de modus Boost	dB(A)	66	
Energieverbruik in de modus OFF-P0	W	0,49	
Energieverbruik in de modus stand-by-Ps	W	n.v.t.	
<b>Productinformatie in overeenstemming met de Verordening van de Commissie (EU) nr. 66/2014</b>			
Tijdverhogingsfactor- f		1	
Index Energie-efficiëntie - EEI		51,3	
Luchtstroom gemeten op het maximaal efficiënte punt - QBEP	m <sup>3</sup> /uur	290	
Luchtdruk gemeten op het maximaal efficiënte punt - PBEP	Pa	340	
Maximale luchtstroom - Qmax	m <sup>3</sup> /uur	480	
Elektriciteitsverbruik op het maximaal efficiënte punt - WBEP	W	94,5	
<b>Energie-efficiëntie van de kookplaat</b>			
<b>Productinformatie volgens EU-richtlijn nr. 66/2014</b>		<b>Eenheid</b>	<b>Waarde</b>
Identificatiecode model			<b>TACKNAN 10598635</b>
Type product			Inductie
Aantal kookzones			4
Kooktechnologie			Inductie
Diameter van de ronde kookzones (Ø)	Linksvoor	mm	220
	Linksachter		160
	Rechtsvoor		160
	Rechtsachter		220
Energieverbruik per kookzone (EC elektrisch koken)	Linksvoor	Wh/Kg	191,9
	Linksachter		195,8
	Rechtsvoor		181,0
	Rechtsachter		174,4
Totaal energieverbruik		Wh/Kg	185,8

EN 60350-2 - Elektrische kooktoestellen - Deel 2: Kookplaten - Meetmethoden van de prestaties

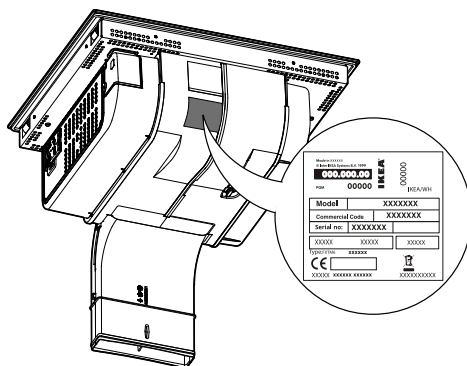
<b>Productinformatie voor energieverbruik en de maximale tijd voor het bereiken van de modus toepasselijk laag vermogen</b>	<b>Eenheid</b>	<b>Waarde</b>
Stroomverbruik in uitgeschakelde modus	W	0,5

Maximale tijd die het apparaat nodig heeft om automatisch de modus toepasselijk laag vermogen te bereiken	Min	3
---	-----	---

\*Maximale snelheid (m.u.v. Boost)

\*\* Filterversie - Waarde van het luchtdebiet voor de filterversie, compleet met filterset NYTTIG 806-231-27 voor de kookplaat

De technische gegevens en het serienummer worden aangegeven op het plaatje aan de binnenkant van het apparaat.



## Fabrikant

Ikea of Sweden AB-SE-343 81 Älmhult,  
Zweden

## GARANTIE IKEA

### Hoe lang duurt de garantie van IKEA?

Deze garantie is geldig gedurende 5 jaar vanaf de datum van aankoop/levering van uw apparaat bij een IKEA-winkel. Het is verplicht om het originele aankoopbewijs te tonen als bewijs van aankoop. Onderhoud dat tijdens de garantieperiode wordt uitgevoerd, verlengt de geldigheid van de garantie niet.

### Wie verleent de dienst?

Het assistentiecentrum dat door IKEA geselecteerd en geautoriseerd is zal de dienst verlenen via zijn netwerk van erkende assistentiepartners.

### Wat dekt deze garantie?

De garantie dekt de defecten aan het apparaat die het gevolg zijn van fabricagefouten (functioneel defect), vanaf de datum van aankoop/levering van het apparaat. Deze garantie geldt alleen voor huishoudelijk gebruik. Uitzonderingen worden beschreven onder "Wat wordt niet gedekt door de garantie?". Tijdens de garantieperiode worden de reparatiekosten (reserveonderdelen, arbeidsloon en reiskosten van technisch personeel) gedragen

door het assistentiecentrum, mits de toegang tot de apparatuur voor reparatiewerkzaamheden geen bijzondere kosten met zich meebrengt. Deze voorwaarden zijn conform de EU-richtlijnen (nr. 99/44/EG) en de plaatselijke voorschriften. De vervangen onderdelen worden eigendom van IKEA.

### Hoe treedt IKEA op om het probleem op te lossen?

Het assistentiecentrum die door IKEA is aangesteld om voor het verlenen van assistentie zal het product onderzoeken en naar eigen oordeel beslissen of het product gedekt is door de garantie. Het assistentiecentrum van IKEA of zijn geautoriseerde assistentiepartner zal naar eigen inzicht het defecte product herstellen of het vervangen door een product van gelijke of gelijkwaardige waarde.

### Wat wordt niet gedekt door de garantie?

- Normale slijtage
- Schade die opzettelijk is veroorzaakt of die is veroorzaakt door het niet in acht nemen van de gebruiksaanwijzing, door onjuiste installatie of als gevolg van aansluiting op een verkeerde spanning. Schade die is veroorzaakt door chemische of elektrochemische reacties, roest of corrosie of waterschade, inclusief schade die is veroorzaakt door overmatige kalkaanslag in waterleidingen. Schade die is veroorzaakt door weersomstandigheden en natuurrampen.
- Verbruiksartikelen, waaronder accu's en lampjes.
- Schade aan niet-functionele en decoratieve onderdelen die geen invloed hebben op het normale gebruik van het apparaat, inclusief krassen en kleurverschillen.
- Accidentele schade die is veroorzaakt door vreemde voorwerpen of stoffen en schade die is veroorzaakt door reiniging of verwijdering van verstoppingen van filters, afvoersystemen of wasmiddelladen.
- Schade aan de volgende onderdelen: keramische kookplaat, accessoires, bestek en serviesmanden, aan- en afvoerleidingen, pakkingen, lampjes en lampkappen, roosters, knoppen, bekleding en delen van de bekleding. Tenzij er kan worden bewezen dat deze schade het gevolg is van fabricagefouten.
- Gevallen waarin tijdens een bezoek van een technicus geen functionele defecten worden vastgesteld.
- Reparaties die niet zijn uitgevoerd door ons geautoriseerde assistentiecentrum en/of een geautoriseerde contractuele assistentiepartner of bij gebruik van niet-originele reserveonderdelen.
- Reparaties veroorzaakt door onjuiste installatie of installatie niet conform aan de specificaties.
- Gevallen van oneigenlijk en/of niet-huishoudelijk gebruik van het apparaat, bijv. professioneel gebruik.

- Transportschade. Indien de klant het product naar zijn/haar woning of een ander adres vervoert, is IKEA niet aansprakelijk voor eventuele schade die tijdens het transport kan ontstaan. Indien IKEA daarentegen het product vervoert naar het adres van de klant, wordt alle schade die tijdens de levering aan het product ontstaat, gedekt door IKEA.
- Kosten voor de eerste installatie van het apparaat van IKEA. Indien een dienstverlener van IKEA of zijn/haar geautoriseerde partner het apparaat repareert of vervangt binnen de voorwaarden van deze garantie, zal de dienstverlener of geautoriseerde partner het gerepareerde apparaat opnieuw installeren of indien nodig het vervangende apparaat installeren. Deze beperkingen zijn niet van toepassing op reguliere werkzaamheden die door gekwalificeerd technisch personeel met originele reserveonderdelen worden uitgevoerd om het apparaat aan te passen aan de technische veiligheidsvoorschriften van een ander EU-land.
- de veiligheidsinformatie in de installatie-instructies en de gebruikershandleiding.

### Het ASSISTENTIEcentrum speciaal voor apparatuur van IKEA

Aarzel niet om contact op te nemen met het geautoriseerde assistentiecentrum dat door IKEA is aangewezen:

- aanvragen van technische assistentie gedurende de garantieperiode
- aanvragen van informatie over de werking de apparaten van IKEA.

Om u de beste assistentie te garanderen, vragen wij u om de montage-instructies en/of de gebruiksaanwijzing van het product zorgvuldig te lezen voordat u contact met ons opneemt.

### Hoe kunt u contact met ons opnemen voor assistentie



Neem contact op met het nummer van het assistentiecentrum van IKEA, te vinden op de laatste pagina van deze handleiding.

### Toepassing van nationale wetten

De klant is in het bezit van de rechten zoals vastgelegd in het Wetsdecreet nr. 206/2005 en de betreffende IKEA-garantie van 5 (vijf) jaar doet geen afbreuk aan deze rechten die voldoen aan of een uitbreiding zijn van de minimale wettelijke rechten van elk land op het gebied van garantie. Ze beperken op geen enkele manier de rechten van de consument zoals gedefinieerd door de lokale wetgeving.

### Garantiegebied

Voor apparaten die in een EU-land zijn gekocht en naar een ander EU-land worden gebracht, wordt assistentie verleend volgens de garantievoorwaarden die in het nieuwe land gelden. De verplichting tot het verlenen van assistentie volgens de garantievoorwaarden geldt enkel indien het apparaat voldoet aan en geïnstalleerd is volgens:

- de technische specificaties van het land waar om toepassing van de garantie wordt verzocht;

**i Om u sneller van dienst te kunnen zijn, raden wij u aan de telefoonnummers te gebruiken die zijn vermeld in deze handleiding. Raadpleeg altijd de nummers in de handleiding van het apparaat waarvoor u assistentie nodig hebt. We raden u aan om altijd de 8-cijferige IKEA code en de 12-cijferige code van het etiket op uw product bij de hand te houden.**

### **i BEWAAR HET AANKOOP-/LEVERINGSDOCUMENT!**

Dit is het bewijs van uw aankoop en moet worden getoond om de garantie geldig te maken. De naam en het IKEA artikelnummer (8 cijfers) van elk aangekocht apparaat staan tevens op de kassabon.

### Heeft u meer hulp nodig?



Voor alle niet-servicegerelateerde informatie kunt u terecht bij de klantenservice van de betreffende IKEA-winkel. Lees de technische documentatie van het apparaat zorgvuldig door voordat u contact met ons opneemt.

## BELGIË - BELGIQUE - BELGIEN

Telefoon/Numéro de téléphone/Telefon-Nummer:	026200311	
Tarief/Tarif/Tarif:	Lokaal tarief/Prix d'un appel local/Ortstarif	
Openingstijd:	Maandag - Vrijdag	8.00 - 20.00
Heures d'ouverture:	Lundi - Vendredi	8.00 - 20.00
Öffnungszeiten:	Montag - Freitag	8.00 - 20.00

## БЪЛГАРИЯ

Телефонен номер:	02 4003536	
Тарифа:	Локална тарифа	
Работно време:	понеделник - петък	8.00 - 20.00

## ČESKÁ REPUBLIKA

Telefonní číslo:	225376400	
Sazba:	Místní sazba	
Pracovní doba:	Pondělí - Pátek	8.00 - 20.00

## DANMARK

Telefonnummer:	70150909	
Takst:	Lokal takst	
Åbningstid:	Mandag - fredag	9.00 - 20.00
	Lørdag	9.00 - 18.00
	(Åbent udvalgte søndage, se IKEA.dk)	

## DEUTSCHLAND

Telefon-Nummer:	06929993602	
Tarif:	Ortstarif	
Öffnungszeiten:	Montag - Freitag	8.00 - 20.00

## ΕΛΛΑΔΑ

Τηλεφωνικός αριθμός:	2109696497	
Χρέωση:	Τοπική χρέωση	
Ωρες λειτουργίας:	Δευτέρα - Παρασκευή	8.00 - 20.00

## ESPAÑA

Teléfono:	913754126 (España Continental)	
Tarifa:	Tarifa local	
Horario:	Lunes - Viernes	8.00 - 20.00

## EESTI

<http://www.ikea.com>

## FRANCE

Numéro de téléphone:	0170480513	
Tarif:	Prix d'un appel local	
Heures d'ouverture:	Lundi - Vendredi	9.00 - 21.00

## HRVATSKA

Broj telefona:	0800 3636	
Tarifa:	Localna tarifa	
Radno vrijeme:	Ponedjeljak - Petak	8.00 - 20.00

## ÍSLAND

Símanúmer:	5852409	
Kostnaður við símtal:	Almennt mínútuverð	
Opnunartími:	Mánudaga - Föstudaga	9.00 - 17.00

## ITALIA

Telefono:	0238591334	
Tariffa:	Tariffa locale	
Orari d'apertura:	Lunedì - Venerdì	8.00 - 20.00

## LATVIJA

<http://www.ikea.com>

## LIETUVIŲ

Telefono numeris:	(0) 520 511 35	
Skambučio kaina:	Vietos mokestis	
Darbo laikas:	Nuo pirmadienio iki penktadienio	8.00 - 20.00

## LUXEMBOURG

Numéro de téléphone:	035220882569	
Tarif:	Prix d'un appel local	
Heures d'ouverture:	Lundi - Vendredi	8.00 - 18.00

## MAGYARORSZÁG

Telefon szám:	(06-1)-3285308	
Tarifa:	Helyi tarifa	
Nyitvatartási idő:	Hétfőtől - Péntekig	8.00 - 20.00

## NEDERLAND

Telefoon:	0900-235 45 32 en/of 0900 BEL IKEA 0031-50 316 8772 international	
Tarief:	Geen extra kosten. Alleen lokaal tarief.	
Openingstijd:	Maandag t/m - Vrijdag	8.00 - 21.00
	Zaterdag	9.00 - 21.00
	Zondag / Feestdagen	10.00 - 18.00



122

## NORGE

Telefon nummer:	23500112	
Takst:	Lokal takst	
Åpningstider:	Mandag - Fredag	8.00 - 20.00

## ÖSTERREICH

Telefon-Nummer:	01360 2771461	
Tarif:	Ortstarif	
Öffnungszeiten:	Montag - Freitag	8.00 - 20.00

## POLSKA

Numer telefonu:	225844203	
Stawka operatora:	Koszt połączenia według taryfy	
Godziny otwarcia:	Poniedziałek - Piątek	8.00 - 20.00

## PORTUGAL

Telefone:	213164011	
Tarifa:	Tarifa local	
Horario:	Segunda - Sexta	9.00 - 21.00

## REPUBLIC OF IRELAND

Phone number:	016590276	
Rate:	Local Rate:	
Opening hours:	Monday - Friday	8.00 - 20.00

## ROMÂNIA

Număr de telefon:	021 2044888	
Tarif:	Tarif local	
Orar:	Luni - Vineri	8.00 - 20.00

## РОССИЯ

Телефонный номер:	84957059426	
Стоимость звонка:	Местная стоимость звонка	
Время работы:	Понедельник - Пятница	9.00 - 21.00 (Московское время)

## SCHWEIZ - SUISSE - SVIZZERA

Telefon-Nummer/Numéro de téléphone/Telefono:	0225675345	
Tarif/Tarif/Tariffa:	Ortstarif/Prix d'un appel local/Tariffa locale	
Öffnungszeiten:	Montag - Freitag	7.30-12.00/13.00-17.30
Heures d'ouverture:	Lundi - Vendredi	7.30-12.00/13.00-17.30
Orario d'apertura:	Lunedì - Venerdì	7.30-12.00/13.00-17.30

## SLOVENSKO

Telefónne číslo:	(02) 50102658	
Cena za hovor:	Cena za miestny hovor	
Pracovná doba:	Pondelok až piatok	8.00 - 20.00

## SLOVENIJA

<http://www.ikea.com>

## SRBIJA

Broj telefona:	011 7 555 444	
stopa:	lokalna kurs	
Radno vreme:	Ponedeljak - subota	9.00 - 20.00
	nedelja	9.00 - 18.00

## SUOMI

Puhelinnumero:	0981710374	
Hinta:	Yksikköhinta	
Aukioloaika:	Maanantaista perjantaihin	8.00 - 20.00

## SVERIGE

Telefon nummer:	0775-700 500	
Taxa:	Lokal samtal	
Öppet tider:	Måndag - Fredag	8.30 - 20.00
	Lördag - Söndag	9.30 - 18.00

## UNITED KINGDOM

Phone number:	02076601517	
Rate:	Local rate	
Opening hours:	Monday - Friday	8.30am - 6.30pm
	Saturday	8.30am - 5.30pm
	Sunday	9.30am - 3.30pm



